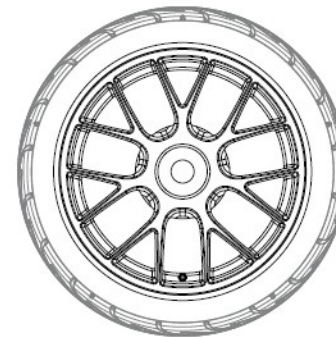
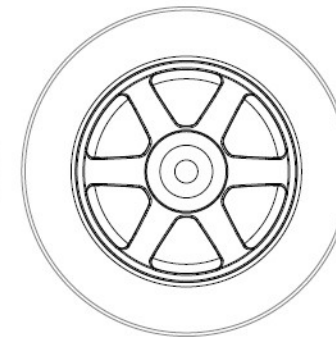


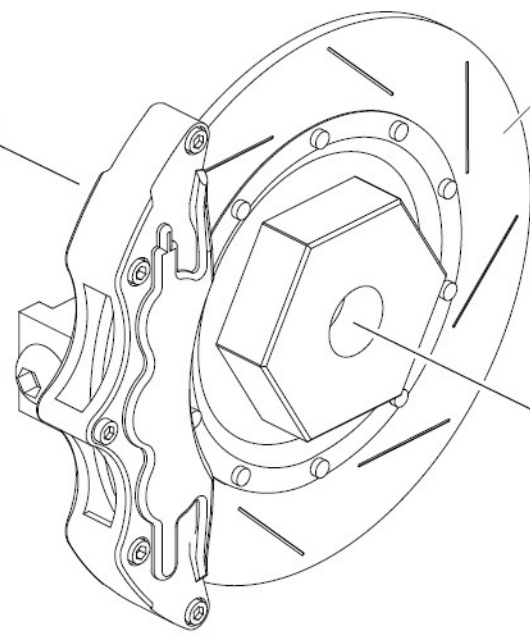
MST realistic wheel & tire set
MST 像真胎框組



MST M car wheel & tire set
MST M CAR 胎框組



Standard M car wheel & tire set
標準 M CAR 胎框組



Default brake shaped upright
Fits
MST M car wheel & tire set
MST realistic wheel & tire set

出廠設定 (碟型輪座)
適用於
MST M CAR 胎框組
MST 像真胎框組

Hex. upright
Fits
Standard M car wheel & tire set
P/N: 820122BK

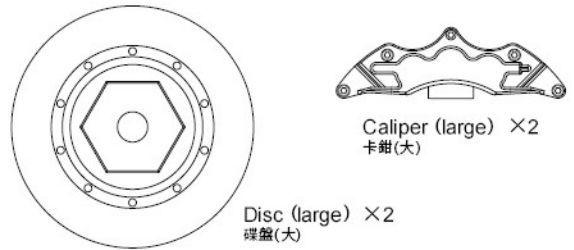
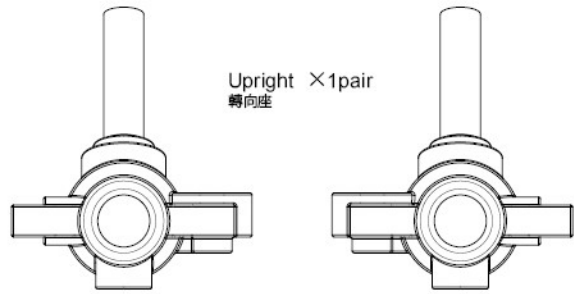
六角輪座
適用於
標準 M CAR 胎框組
P/N: 820122BK

4mm

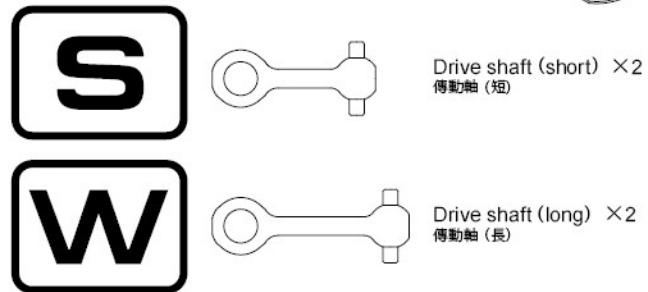
Factory setting
(Standard ball connector)
Fits
Standard M car wheel & tire set
出廠設定 (標準球頭)
適用於
MST M CAR 胎框組

5mm

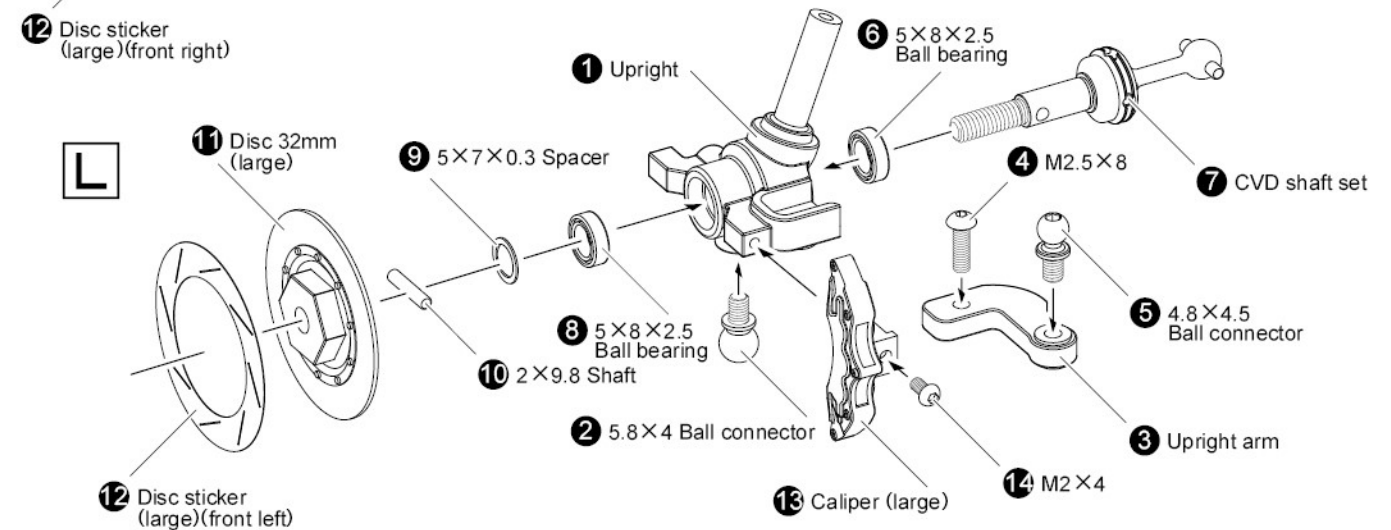
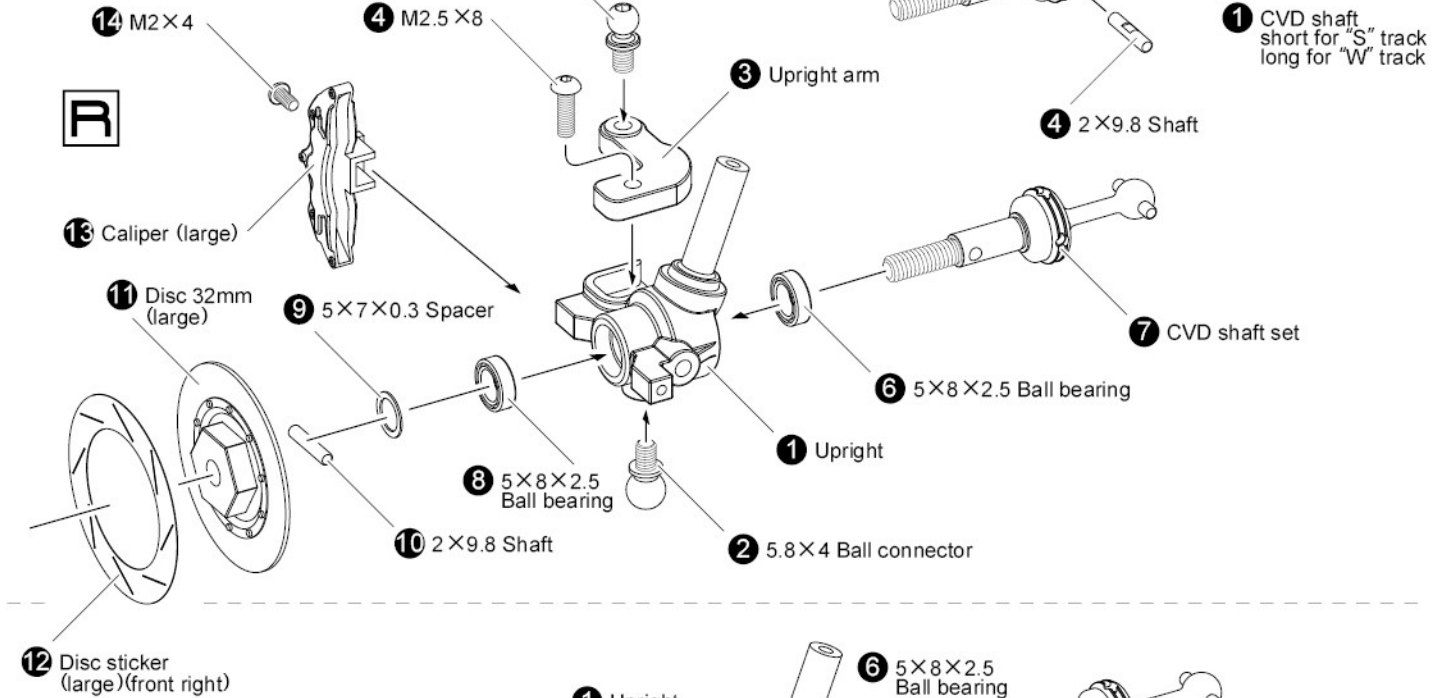
Adjustable setting
(Long ball connector)
Fits
MST M car wheel & tire set
MST realistic wheel & tire set
For adjustment
P/N: 210491
調整用設定 (長球頭)
可用於
MST M CAR 胎框組
MST 像真胎框組
作為調整用途
P/N: 210491



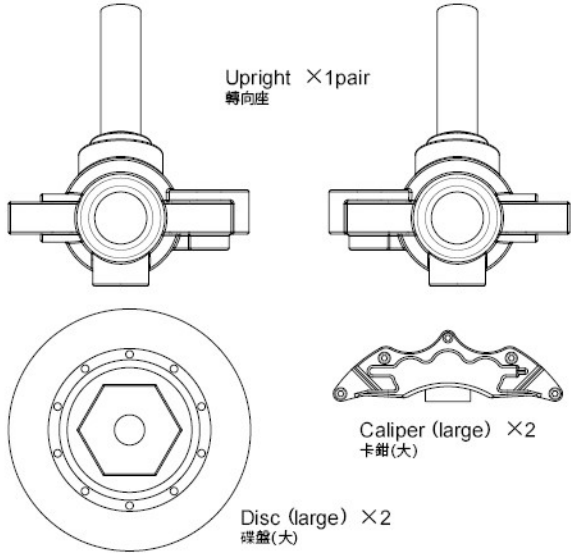
- 5.8×4 Connector ×2
球頭
- 4.8×4.5 Connector ×2
球頭
- M2×4 screw ×2
螺絲
- M2.5×8 screw ×2
螺絲
- 5×8×2.5 Ball bearing ×4
培林
- 2×9.8 Shaft ×2
插銷
- Cross joint ×2
連接軸
- 5×7×0.3 Spacer ×2
墊片
- 2×9.8 Shaft ×2
插銷
- M3×2.6 screw ×2
螺絲



STEP 1 Front axle assembly
前輪座組裝



STEP 1 Front axle assembly
前輪座組裝



5.8×4 Connector ×2
球頭

4.8×4.5 Connector ×2
球頭

M2×4 screw ×2
螺絲

M2.5×8 screw ×2
螺絲

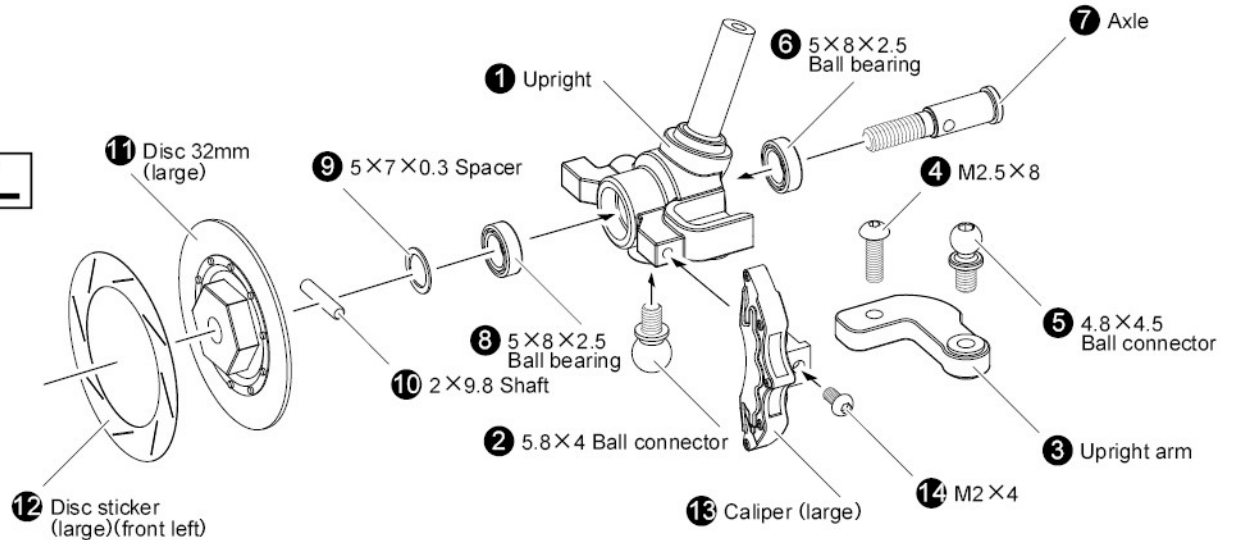
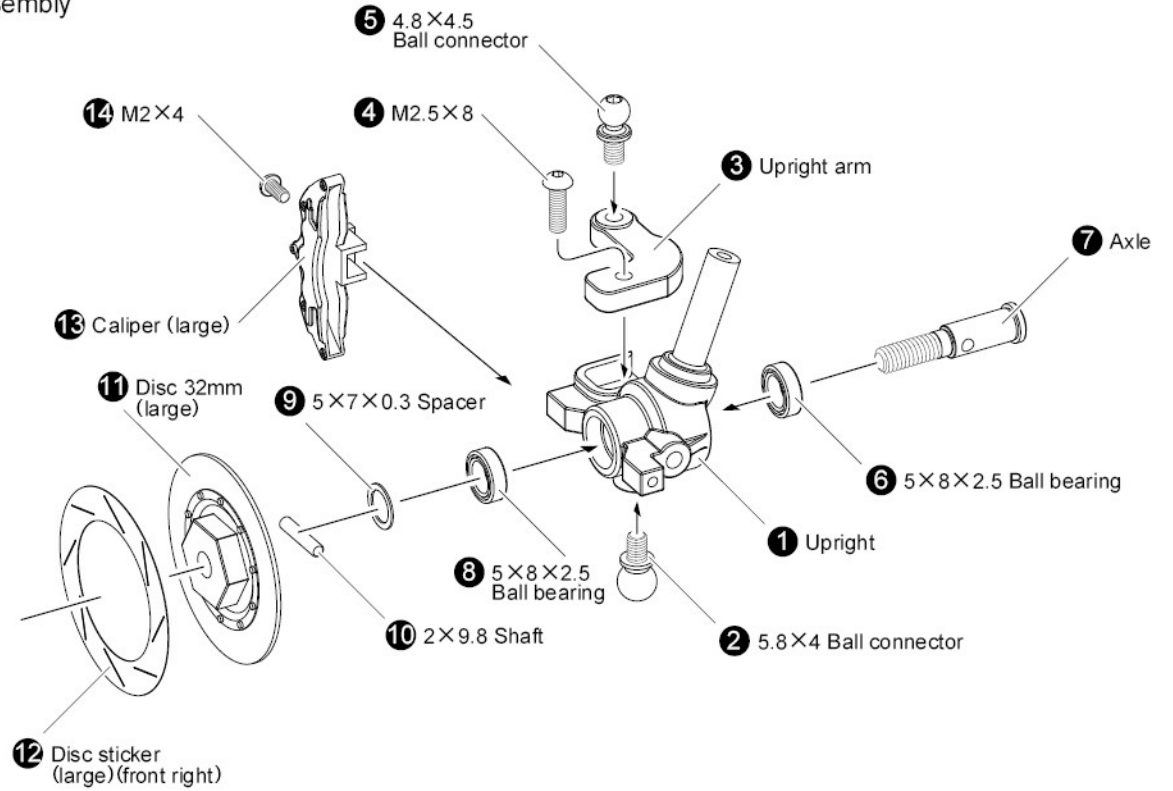
5×8×2.5 Ball bearing ×4
培林

5×7×0.3 Spacer ×2
墊片

2×9.8 Shaft ×2
插銷

Axle ×2
輪軸

Upright arm ×2
轉向座搖臂



STEP 1 Attaching front upright
安裝前轉向座



M2.5×8 screw ×2
螺絲

2.6×7×1 Spacer ×2
墊片

8×10×0.9 Spacer ×2
墊片

Spring ×2
彈簧

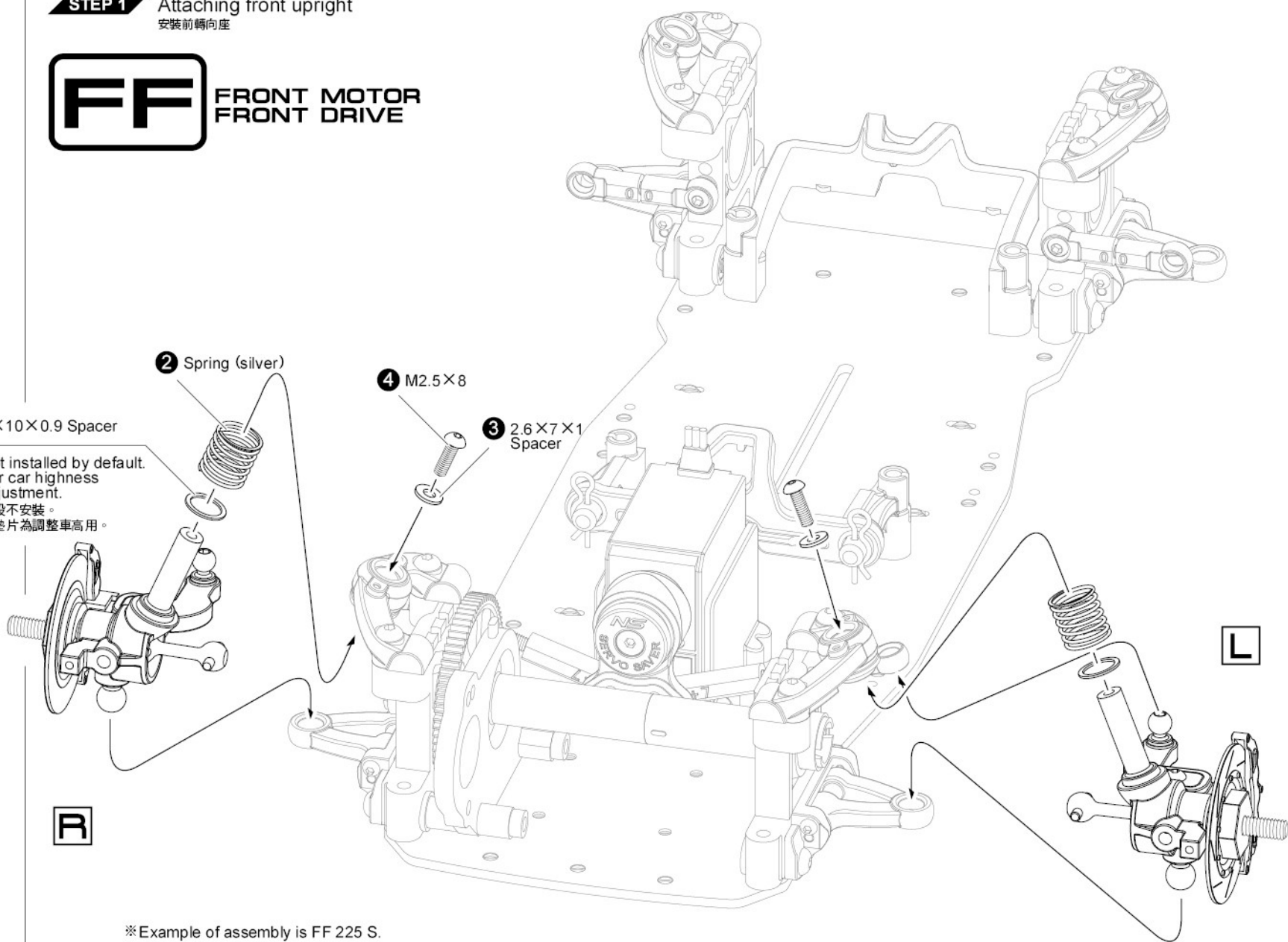
1 8×10×0.9 Spacer

※ Not installed by default.
For car highness
adjustment.
預設不安裝。
此墊片為調整車高用。

2 Spring (silver)

4 M2.5×8

3 2.6×7×1
Spacer



R

L

※ Example of assembly is FF 225 S.
組裝圖例為 FF 225 S。

SPRING TABLE	
BLUE	HARD
SILVER	▲
GOLD	▲
RED	▼
GREEN	▼
YELLOW	SOFT

STEP 1 Attaching front upright
安裝前轉向座

MR MID MOTOR
REAR DRIVE

RR REAR MOTOR
REAR DRIVE

M2.5×8 screw ×2
螺絲

2.6×7×1 Spacer ×2
墊片

8×10×0.9 Spacer ×2
墊片

Spring ×2
彈簧

1 8×10×0.9 Spacer

※ Not installed by default.
For car highness
adjustment.
預設不安裝。
此墊片為調整車高用。

2 Spring (green)

4 M2.5×8

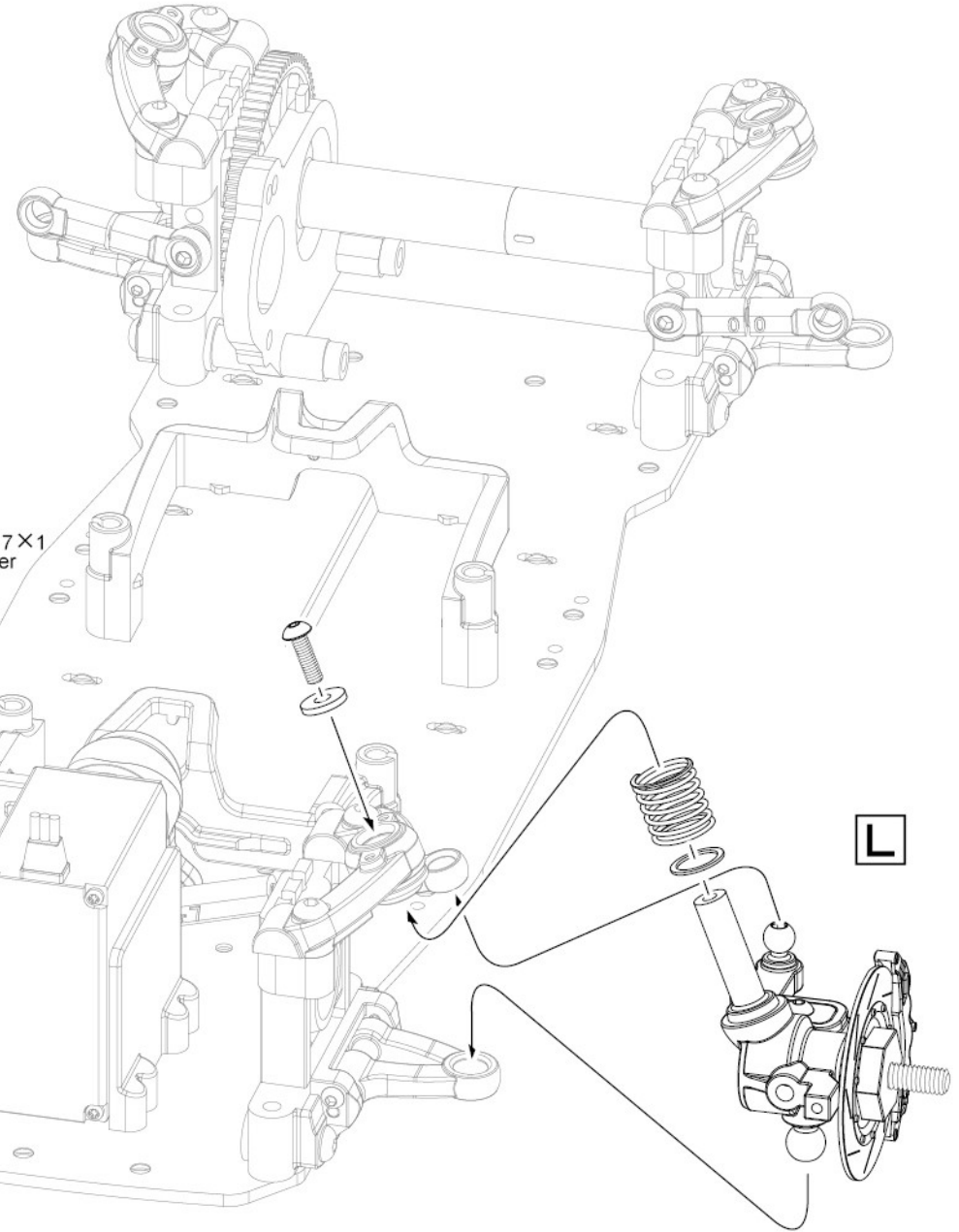
3 2.6×7×1
Spacer

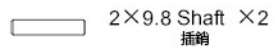
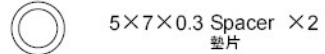
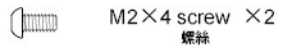
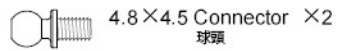
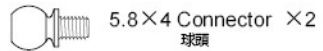
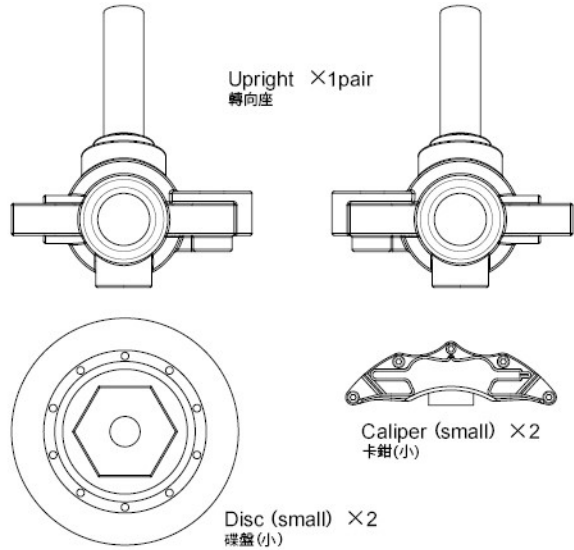
SPRING TABLE	
BLUE	HARD
SILVER	▲
GOLD	▲
RED	▼
GREEN	▼
YELLOW	SOFT

R

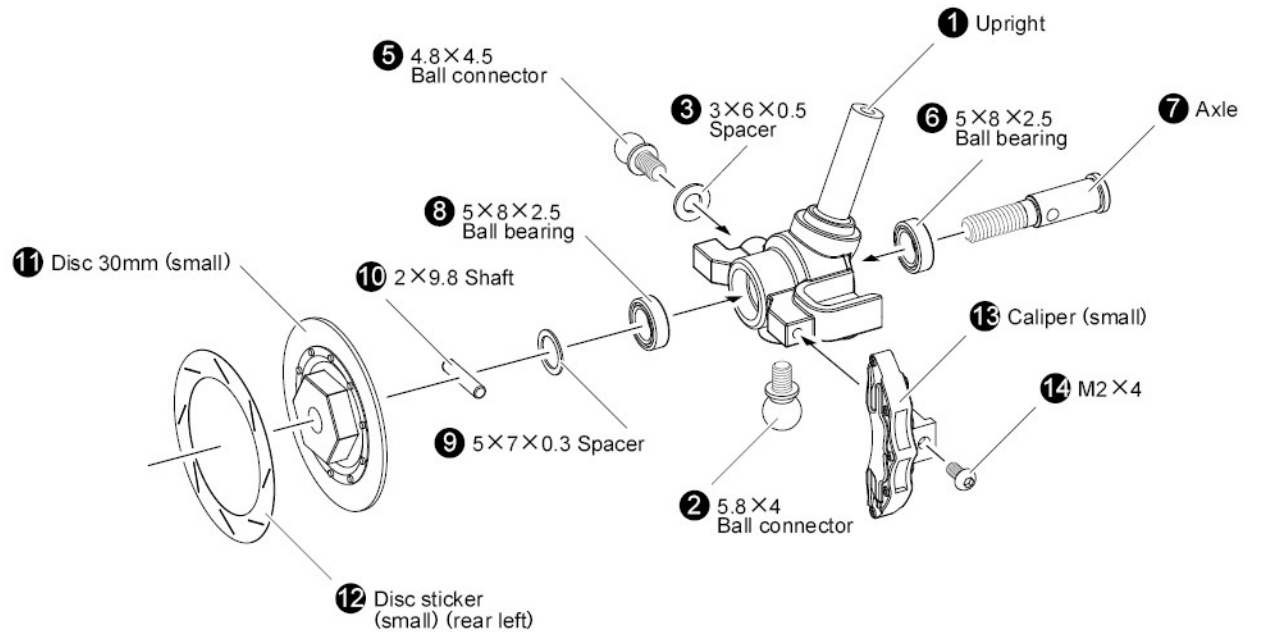
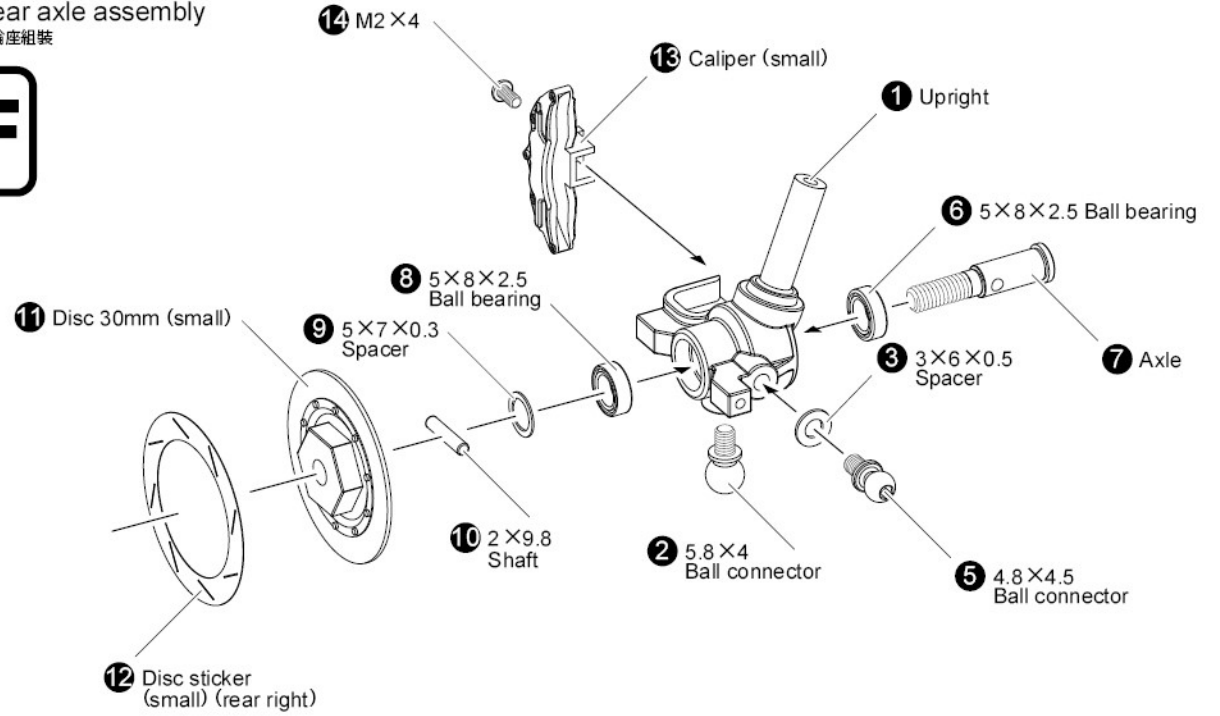
L

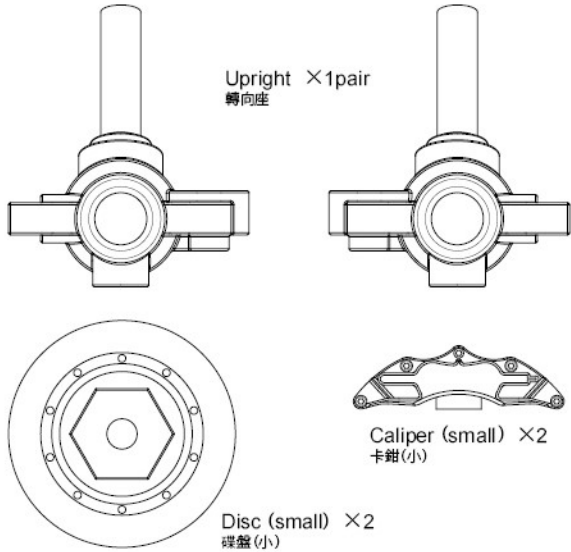
※ Example of assembly is MR 225 S.
組裝圖例為 MR 225 S。













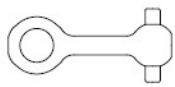
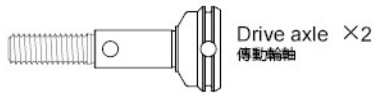


STEP 1 Rear axle assembly
後輪座組裝

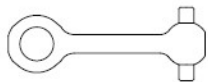




-  5.8x4 Connector x2 球頭
-  4.8x4.5 Connector x2 球頭
-  M2x4 screw x2 螺絲
-  3x6x0.5 Spacer x2 墊片
-  5x8x2.5 Ball bearing x4 培林
-  2x9.8 Shaft x2 插銷
-  Cross joint x2 連接軸
-  5x7x0.3 Spacer x2 墊片
-  2x9.8 Shaft x2 插銷
-  M3x2.6 screw x2 螺絲



Drive shaft (short) x2
傳動軸(短)

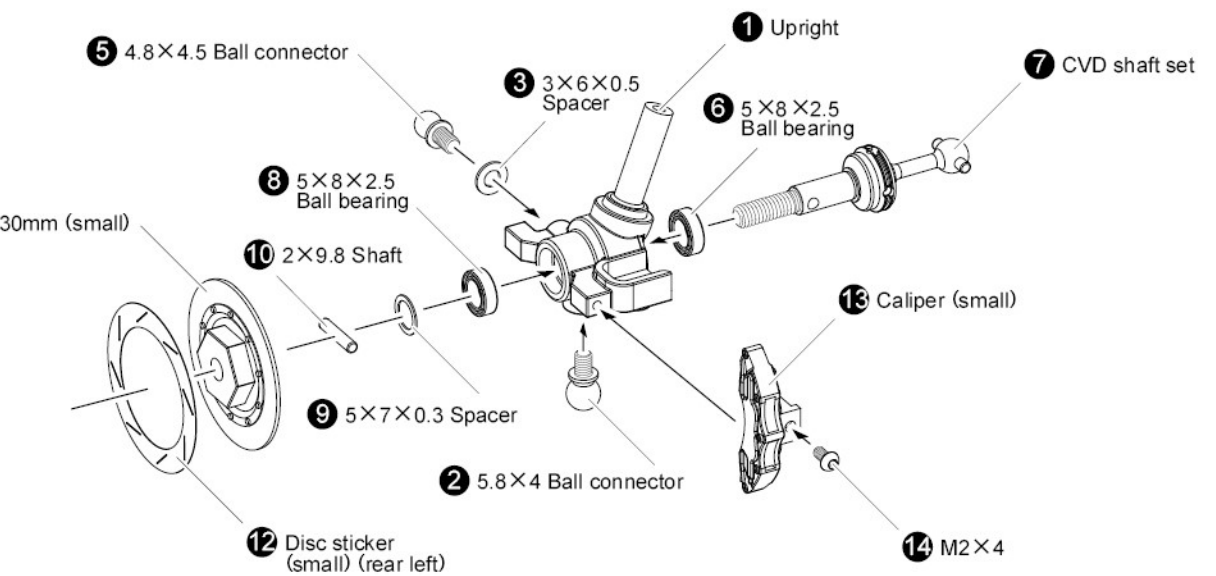
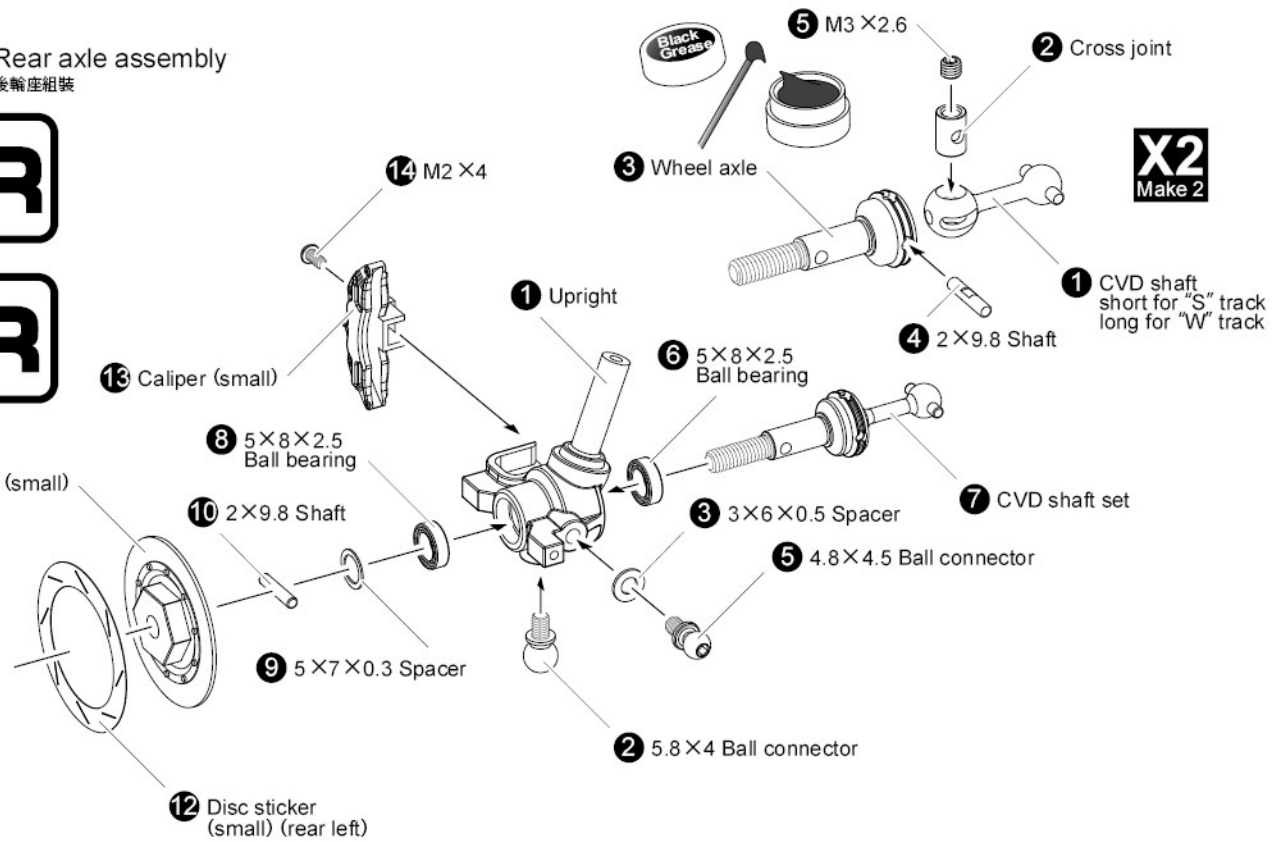


Drive shaft (long) x2
傳動軸(長)

STEP 1 Rear axle assembly
後輪座組裝



11 Disc 30mm (small)



STEP 2 Attaching rear axle
安裝後輪座



M2.5×8 screw ×2
螺絲

2.6×7×1 Spacer ×2
墊片

8×10×0.9 Spacer ×2
墊片

Spring ×2
彈簧

1 8×10×0.9 Spacer

※ Not installed by default.
For car highness
adjustment.
預設不安裝。
此墊片為調整車高用。

2 Spring (green)

4 M2.5×8

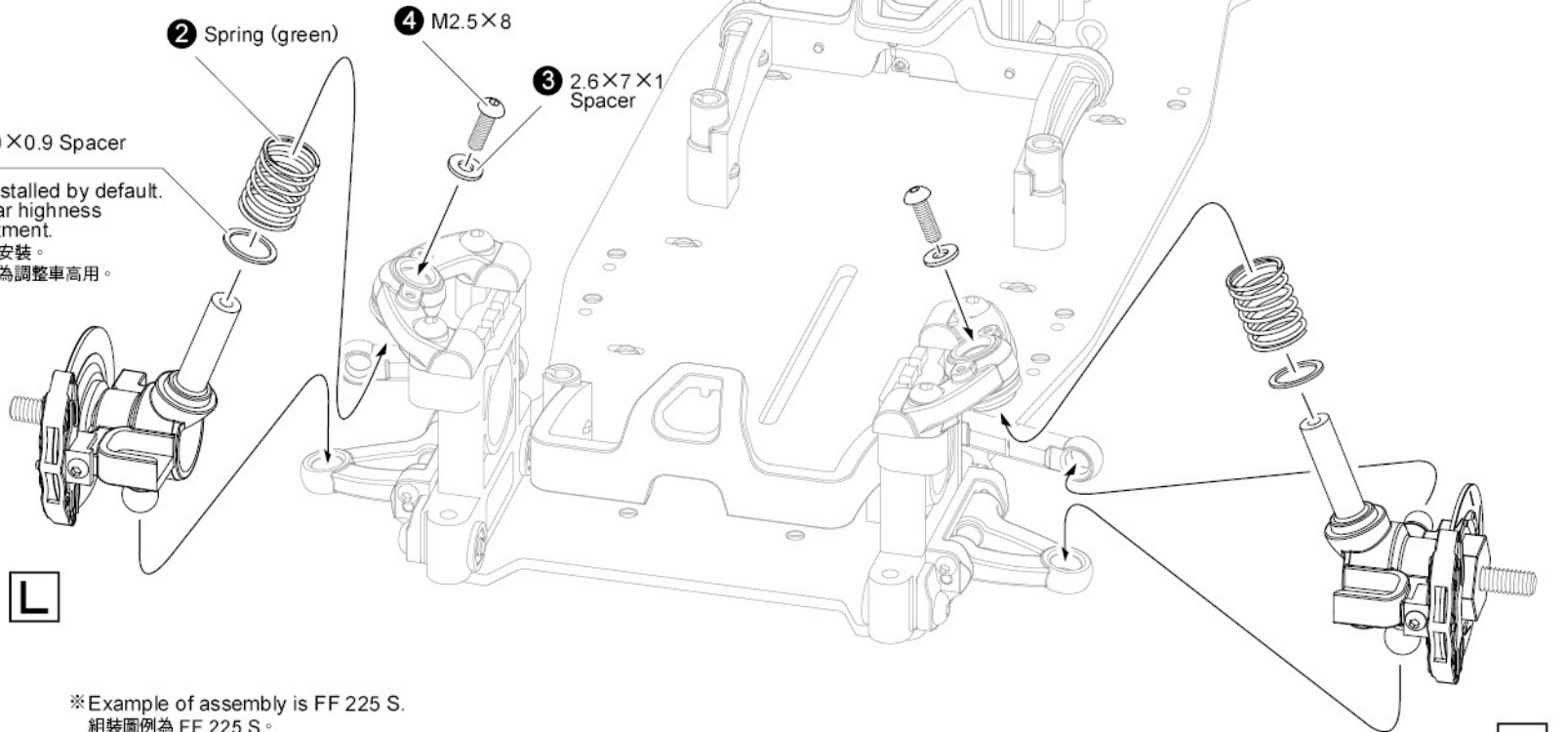
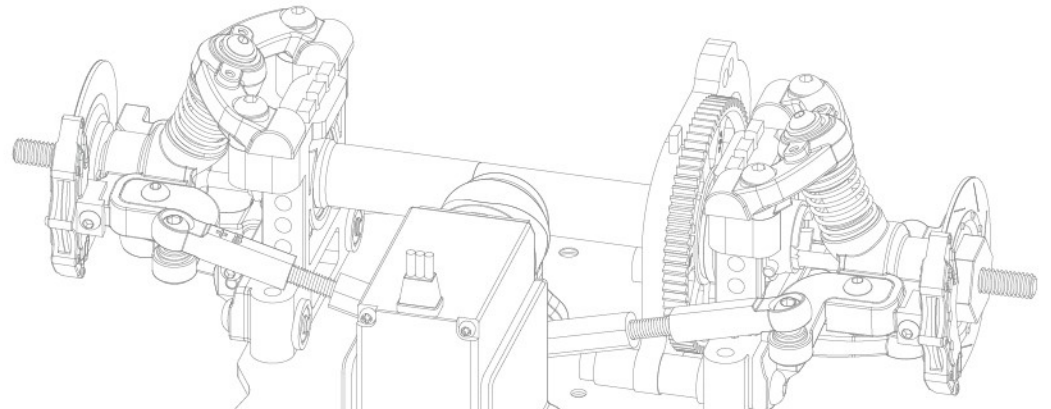
3 2.6×7×1
Spacer



※ Example of assembly is FF 225 S.
組裝圖例為 FF 225 S。



SPRING TABLE	
BLUE	HARD
SILVER	▲
GOLD	▲
RED	▼
GREEN	▼
YELLOW	SOFT



REAR AXLE
後輪座

STEP 2 Attaching rear axle
安裝後輪座

MR MID MOTOR
REAR DRIVE

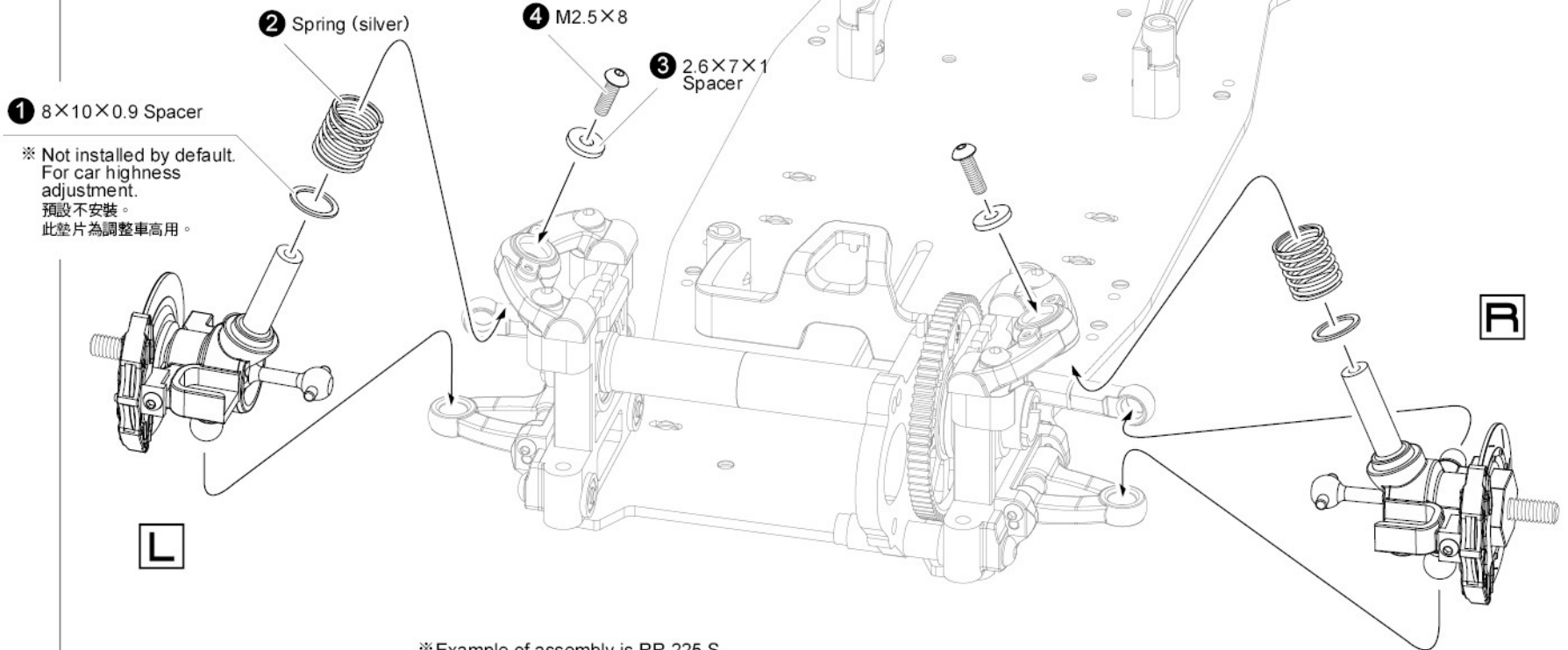
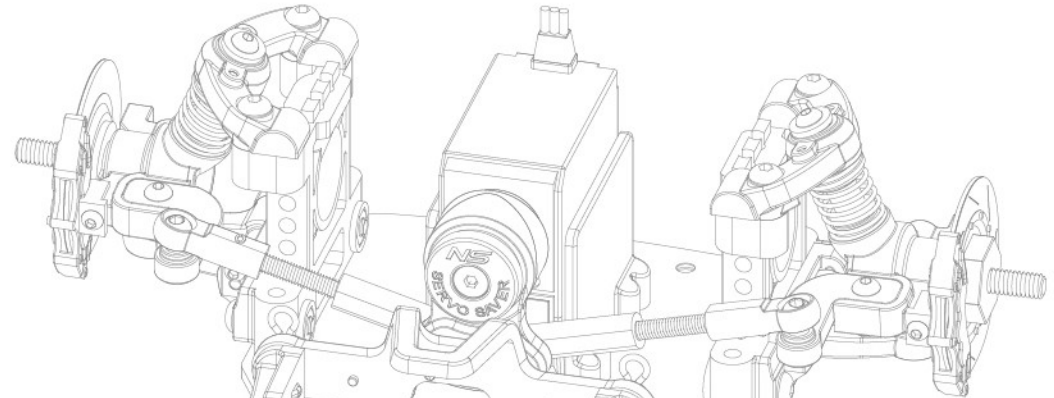
RR REAR MOTOR
REAR DRIVE

M2.5×8 screw ×2
螺絲

2.6×7×1 Spacer ×2
墊片

8×10×0.9 Spacer ×2
墊片

Spring ×2
彈簧

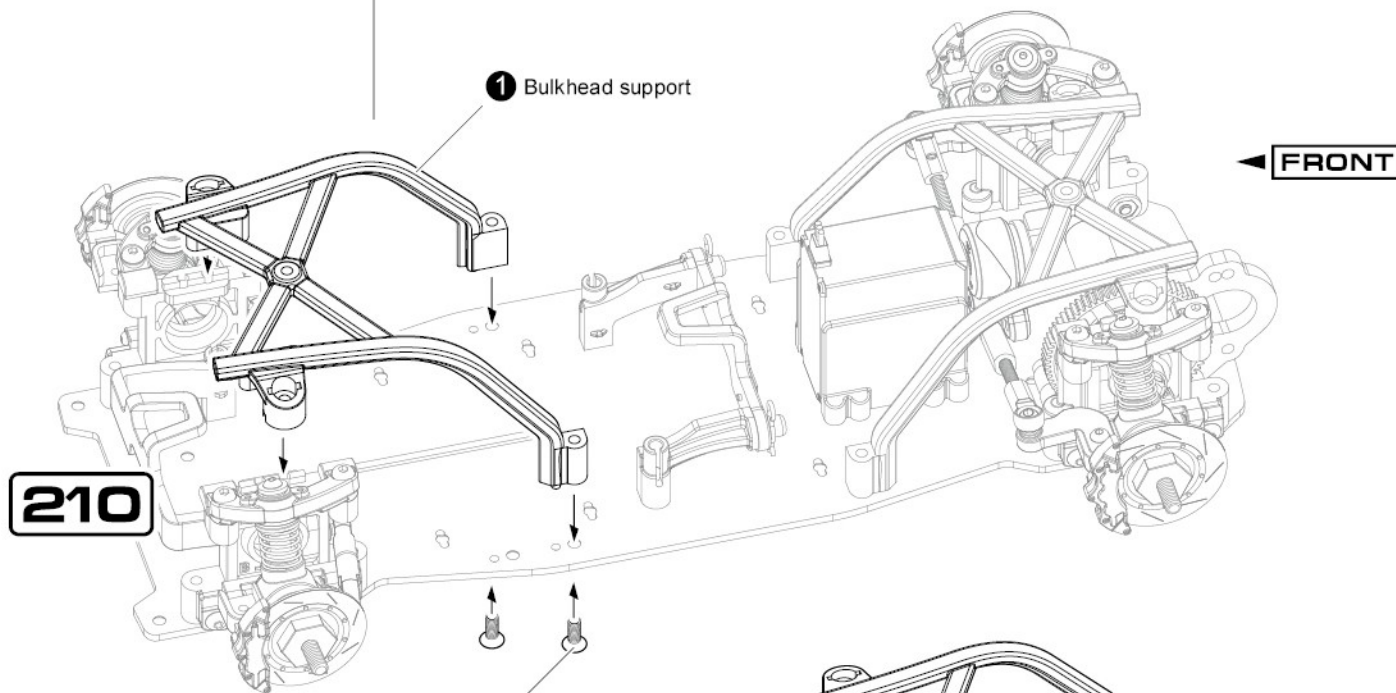


※ Example of assembly is RR 225 S.
組裝圖例為 RR 225 S。

SPRING TABLE	
BLUE	HARD
SILVER	▲
GOLD	▲
RED	▼
GREEN	▼
YELLOW	SOFT

STEP 1 Attaching bulkhead support
安裝側板補強架

210 225



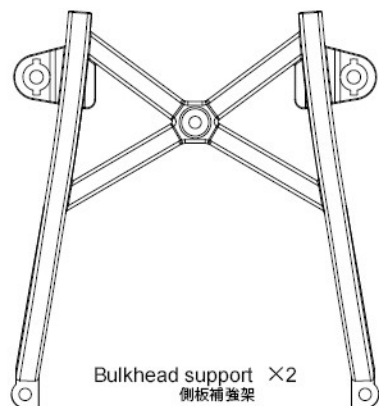
210

1 Bulkhead support

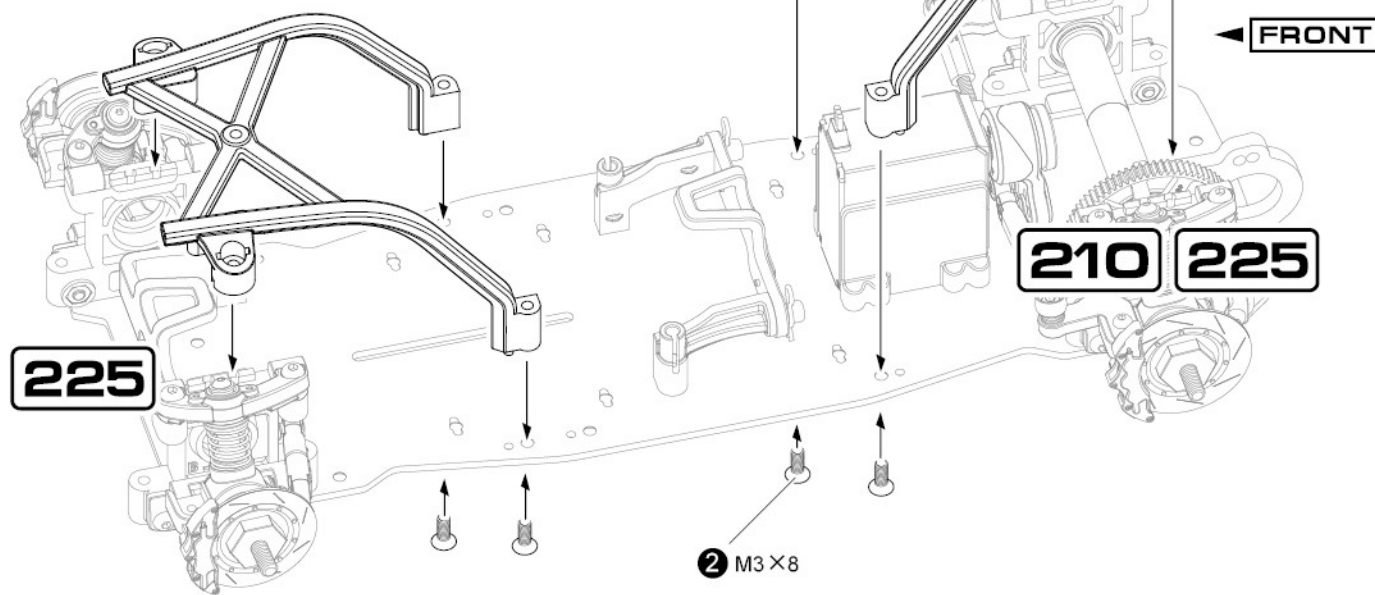
FRONT

2 M3 X 8

M3 X 8 screw X 2
沉頭螺絲



Bulkhead support X 2
側板補強架



225

1 Bulkhead support

FRONT

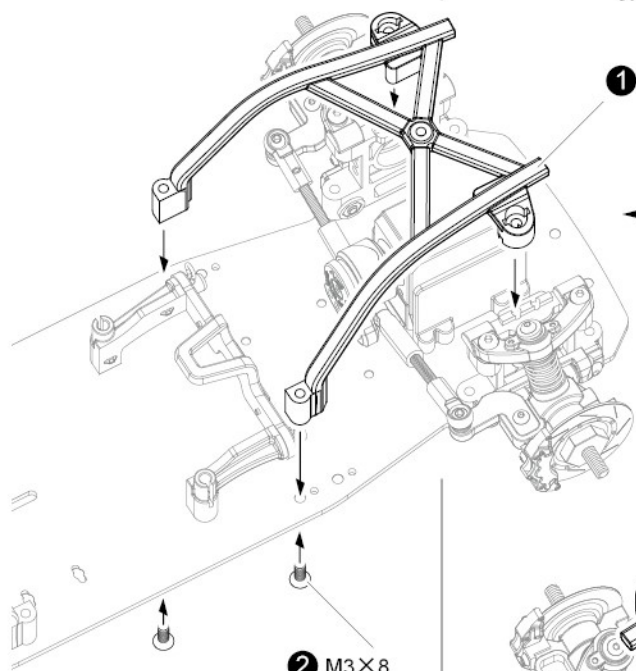
2 M3 X 8

210 225

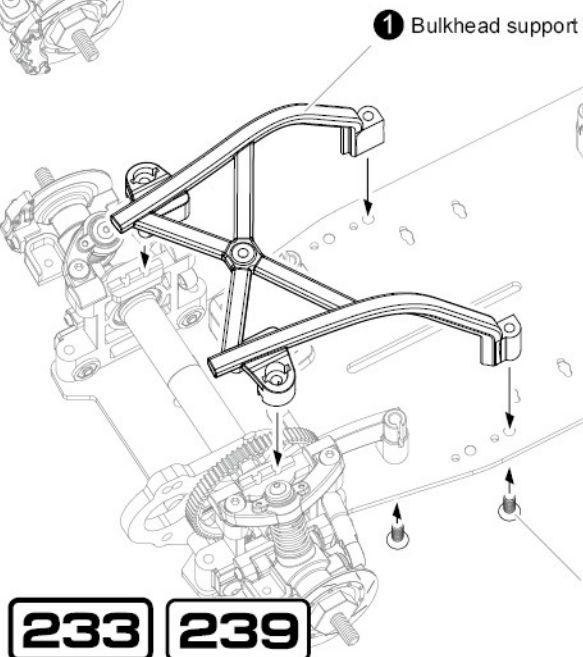
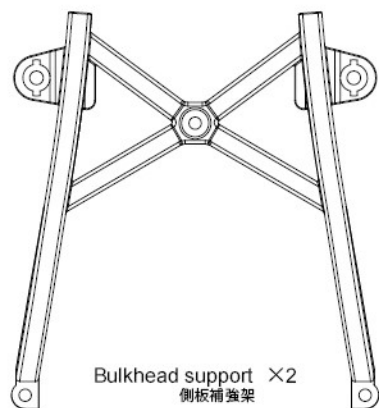
※Example of assembly is FF 210 & 225 S.
組裝圖例為 FF 210 & 225 S。

STEP 1 Attaching bulkhead support
安裝側板補強架

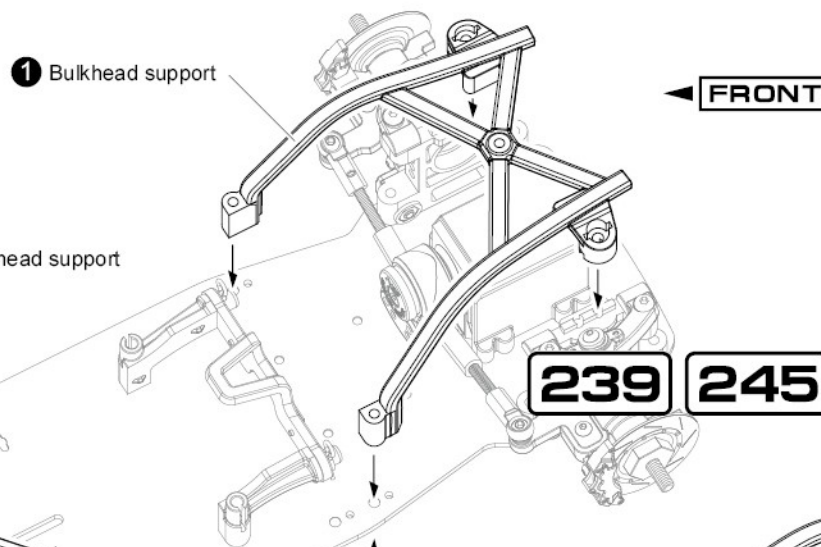
233 239 245



M3x8 screw ×2
沉頭螺絲

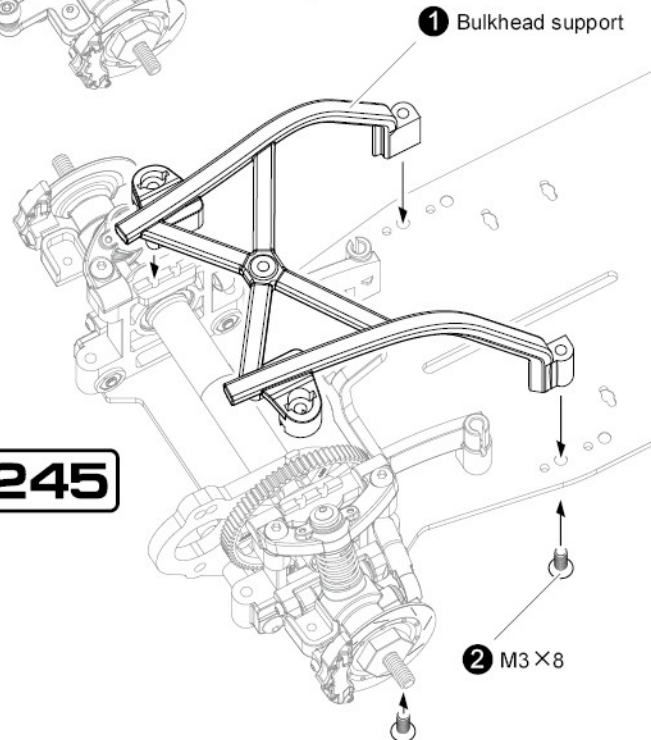


233 239



239 245

245

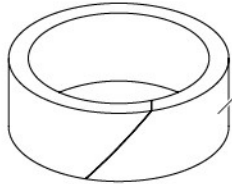
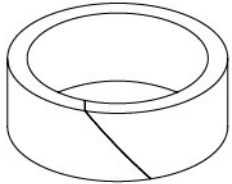


※ Example of assembly is RR 233 & 239 & 245 S.
組裝圖例為 RR 233 & 239 & 245 S。

STEP 1 Attaching wheels
安裝輪胎



1 Tire



2 Inner sponge



3 Wheel

R X2
Make 2

L X2
Make 2

R

L

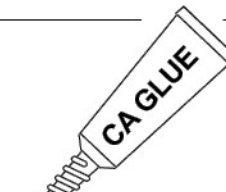


Flange nut M4 × 4
凸緣螺帽M4

※ NOT including.
Please refer to MST website for the wheel & tire types.
胎框組須另購，詳情請見官網。
[www.rc-mst.com]

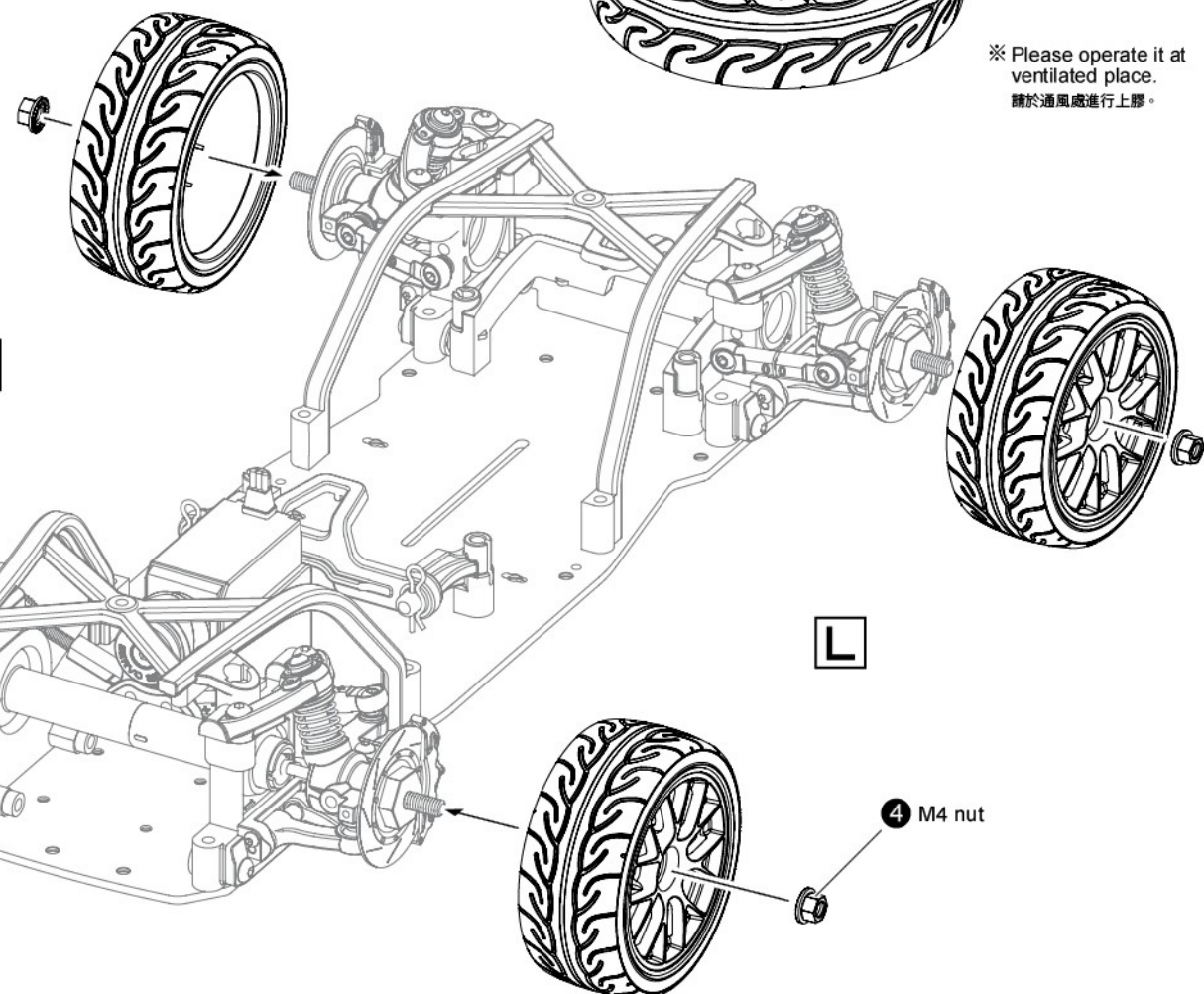
FRONT

※ Example of assembly is FF 225 S.
組裝圖例為 FF 225 S。



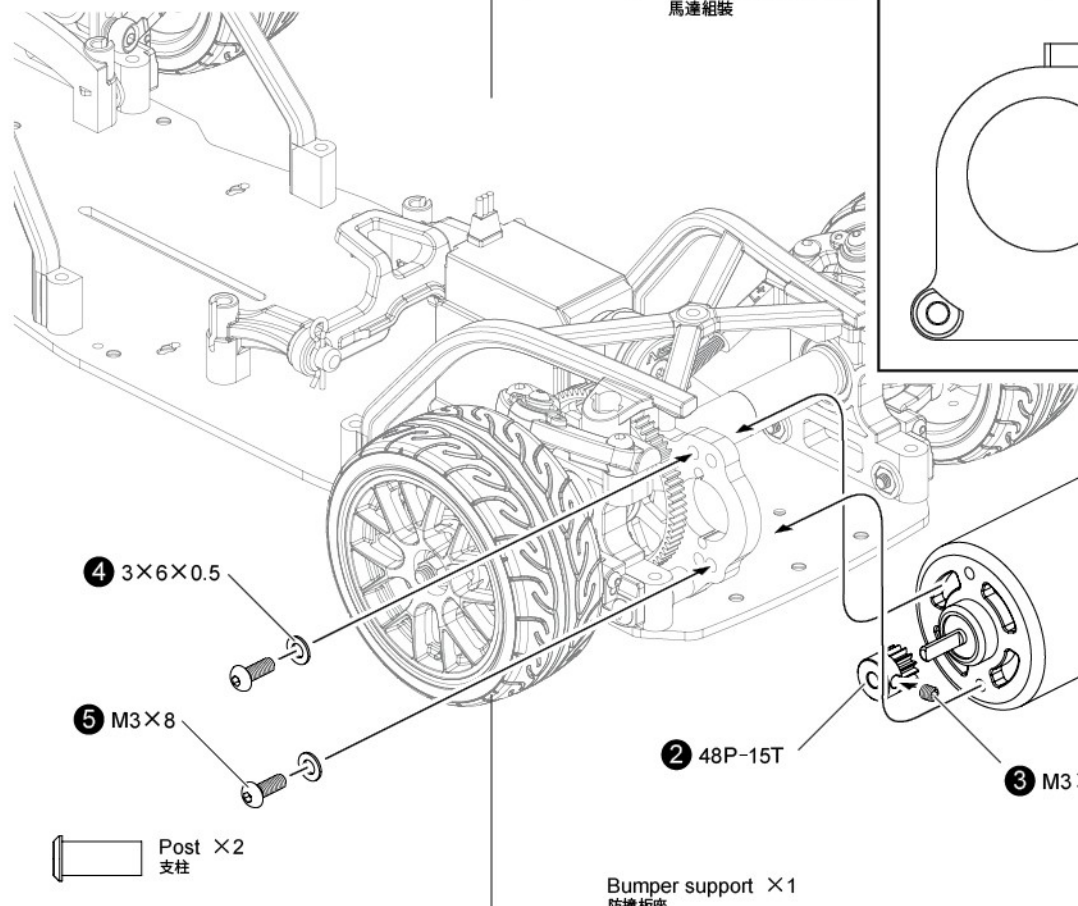
※ Adhesive
上膠固定。
※ Glue on both sides.
兩側都須上膠。

※ Please operate it at
ventilated place.
請於通風處進行上膠。

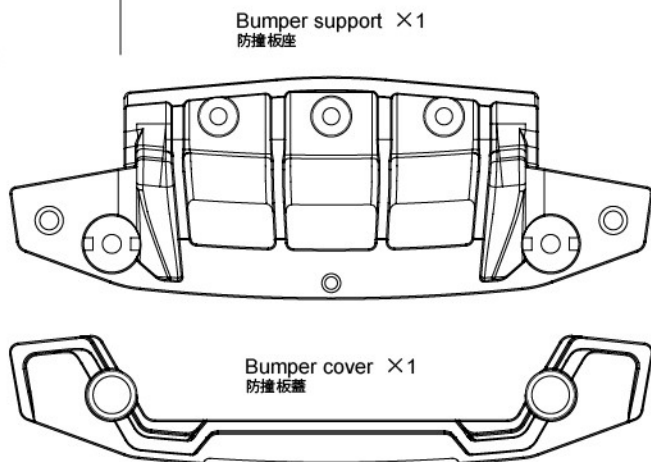


4 M4 nut

STEP 1 Motor assembly
馬達組裝



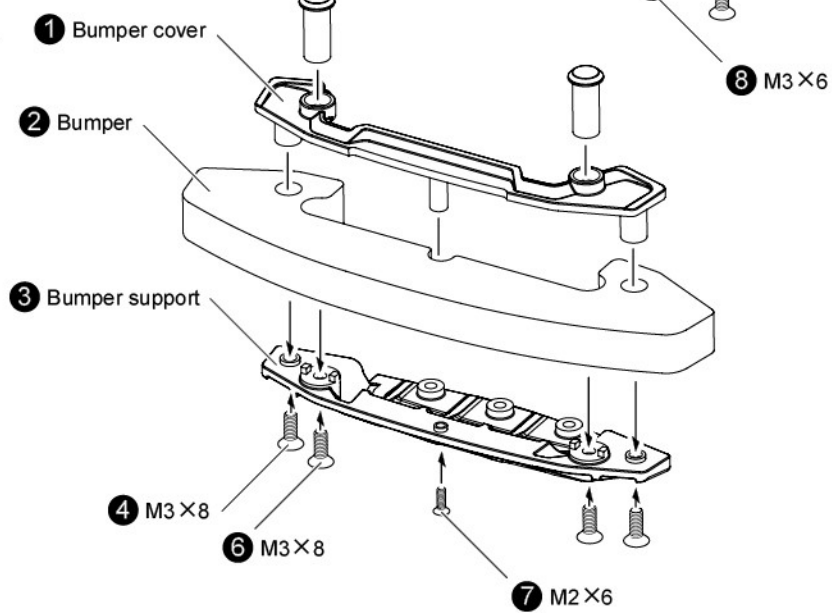
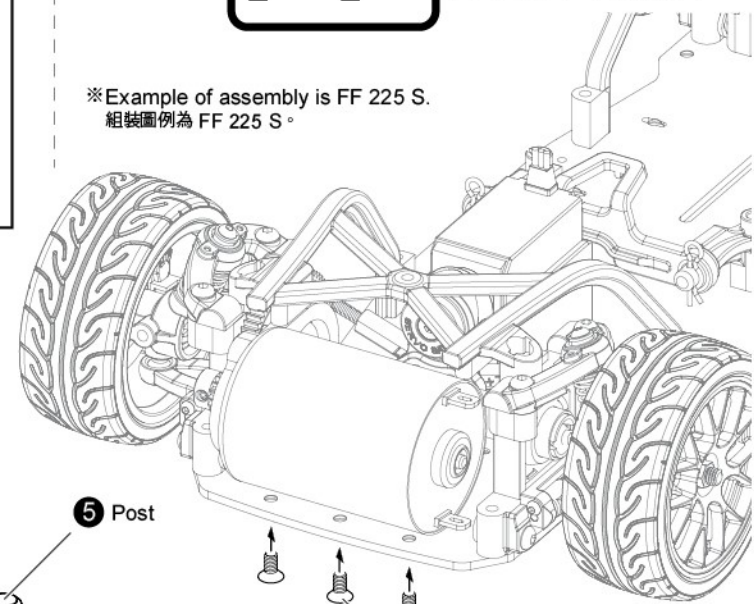
- Post × 2
支柱
- 3×6×0.5 Spacer × 2
墊片
- M3×3 screw × 1
止付螺絲
- M2×6 screw × 1
沉頭螺絲
- M3×8 screw × 4
沉頭螺絲
- M3×6 screw × 3
沉頭螺絲
- M3×8 screw × 2
圓頭螺絲










STEP 2 Front bumper assembly
前防撞板組裝

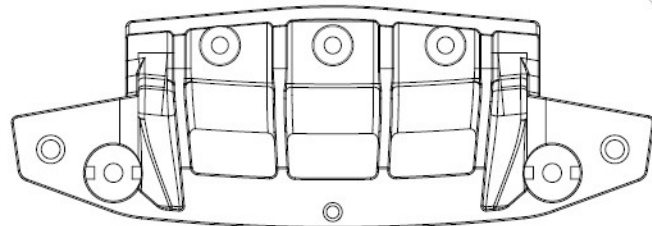
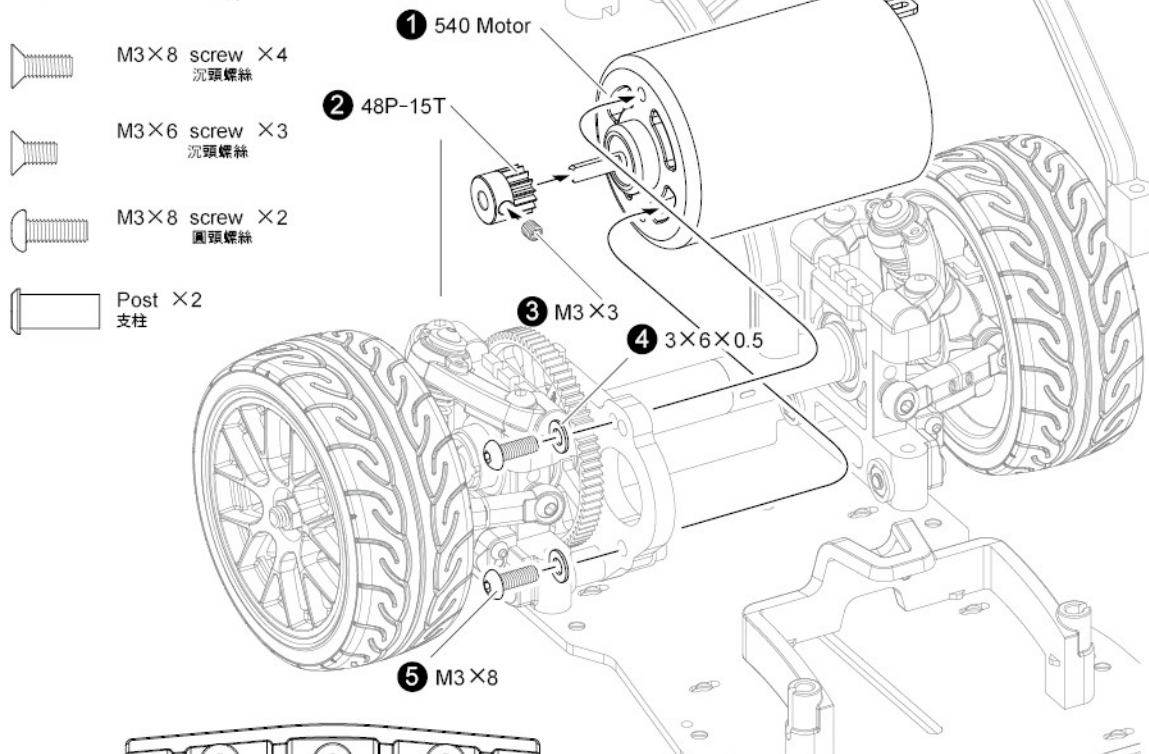


※ Example of assembly is FF 225 S.
組裝圖例為 FF 225 S。

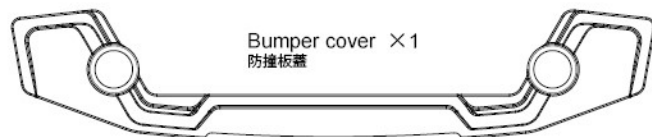


STEP 1 Motor assembly
馬達組裝

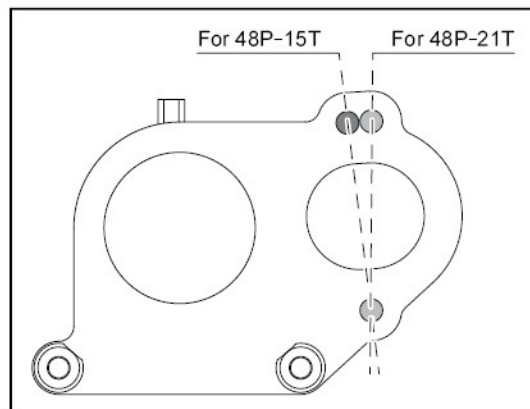
-  3×6×0.5 Spacer ×2
墊片
-  M3×3 screw ×1
止付螺絲
-  M2×6 screw ×1
沉頭螺絲
-  M3×8 screw ×4
沉頭螺絲
-  M3×6 screw ×3
沉頭螺絲
-  M3×8 screw ×2
圓頭螺絲
-  Post ×2
支柱



Bumper support ×1
防撞板座



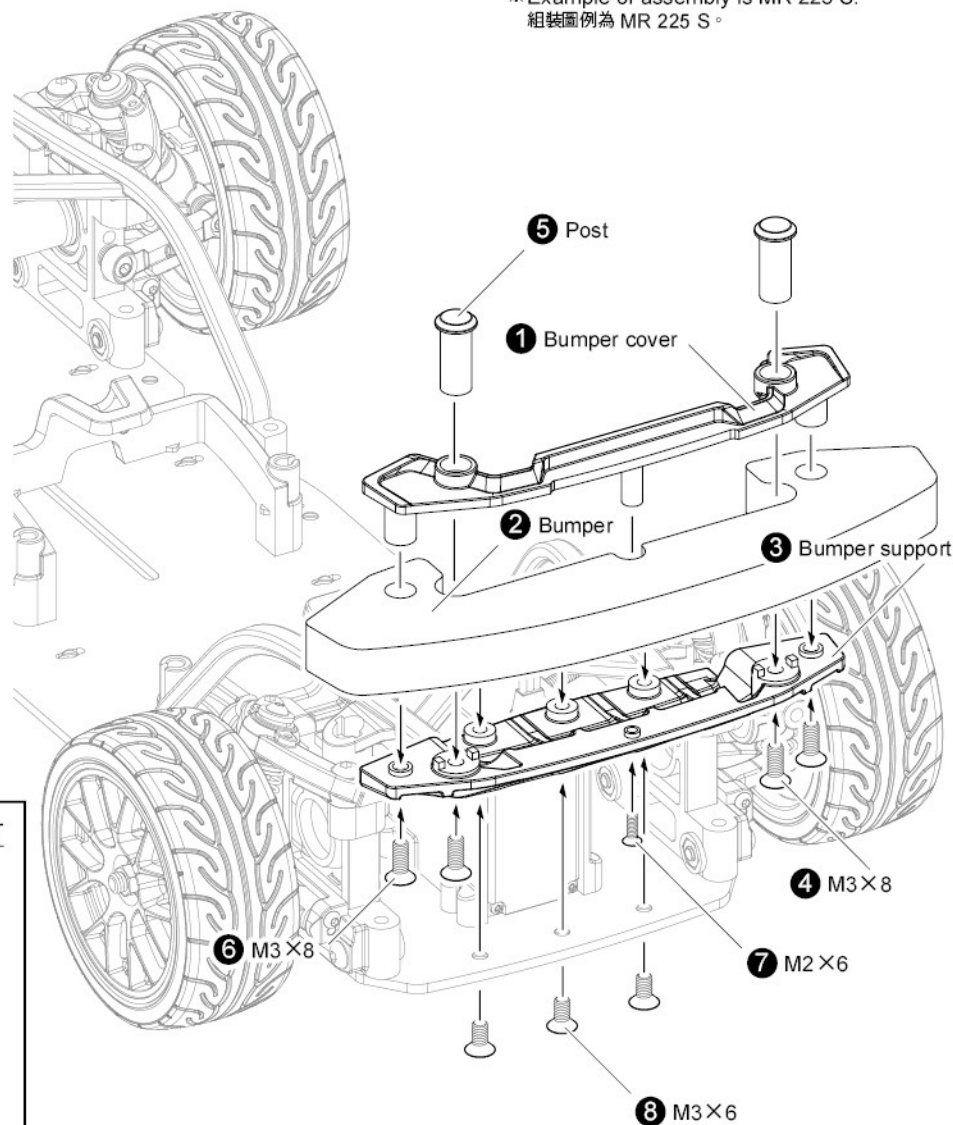
Bumper cover ×1
防撞板蓋





STEP 2 Front bumper assembly
前防撞板組裝

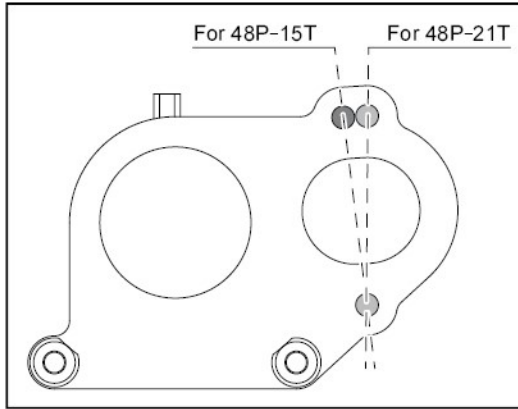


※ Example of assembly is MR 225 S.
組裝圖例為 MR 225 S。



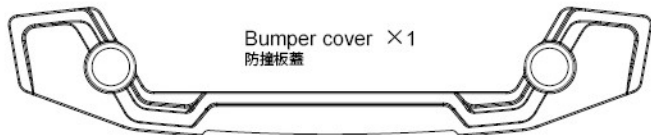
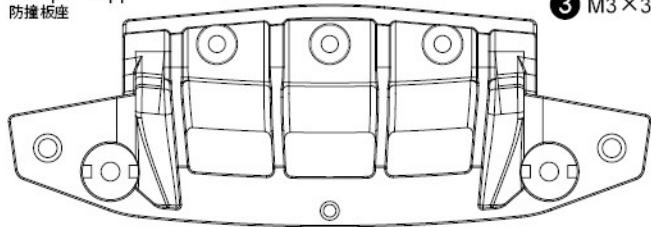
STEP 1 Motor assembly
馬達組裝

-  3×6×0.5 Spacer ×2
墊片
-  M3×3 screw ×1
止付螺絲
-  M2×6 screw ×1
沉頭螺絲
-  M3×8 screw ×4
沉頭螺絲
-  M3×6 screw ×3
沉頭螺絲
-  M3×8 screw ×2
圓頭螺絲
-  Post ×2
支柱



1 540 Motor

Bumper support ×1
防撞板座



2 48P-15T

3 M3×3

4 3×6×0.5

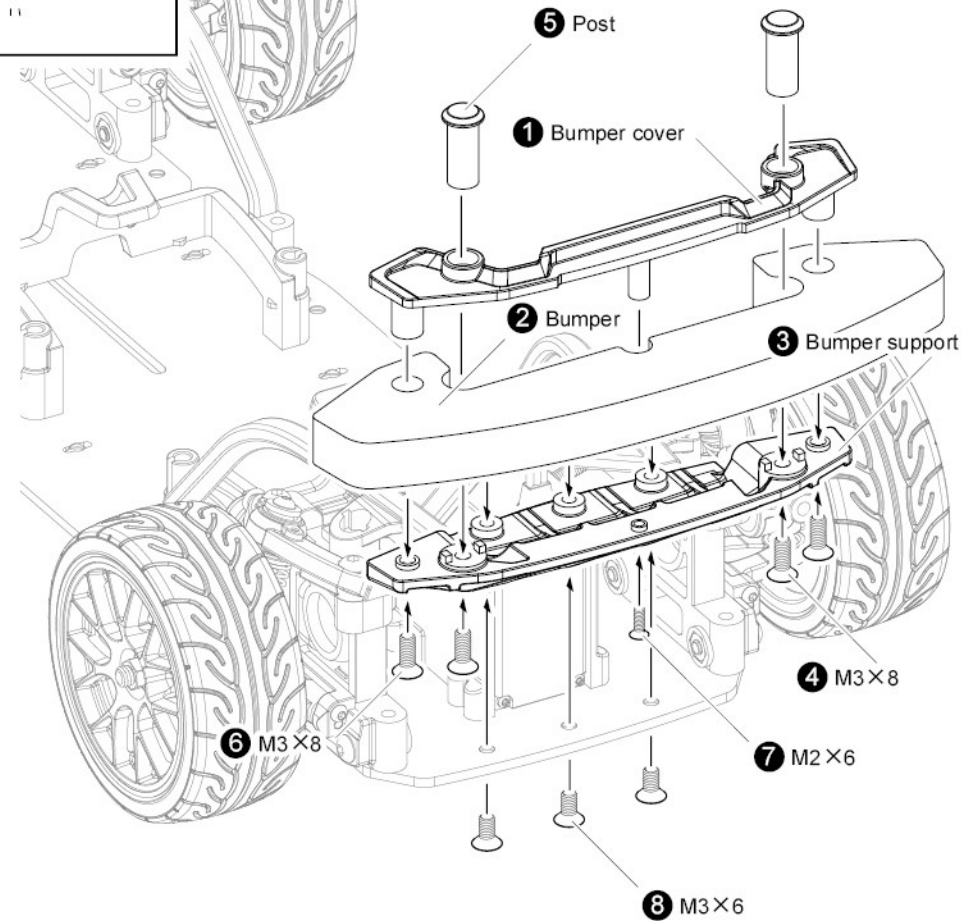
5 M3×8

STEP 2 Front bumper assembly
前防撞板組裝



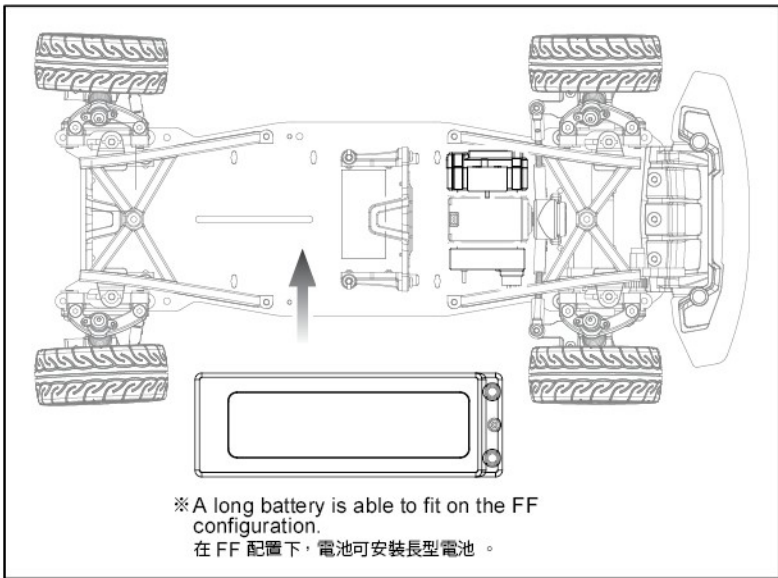
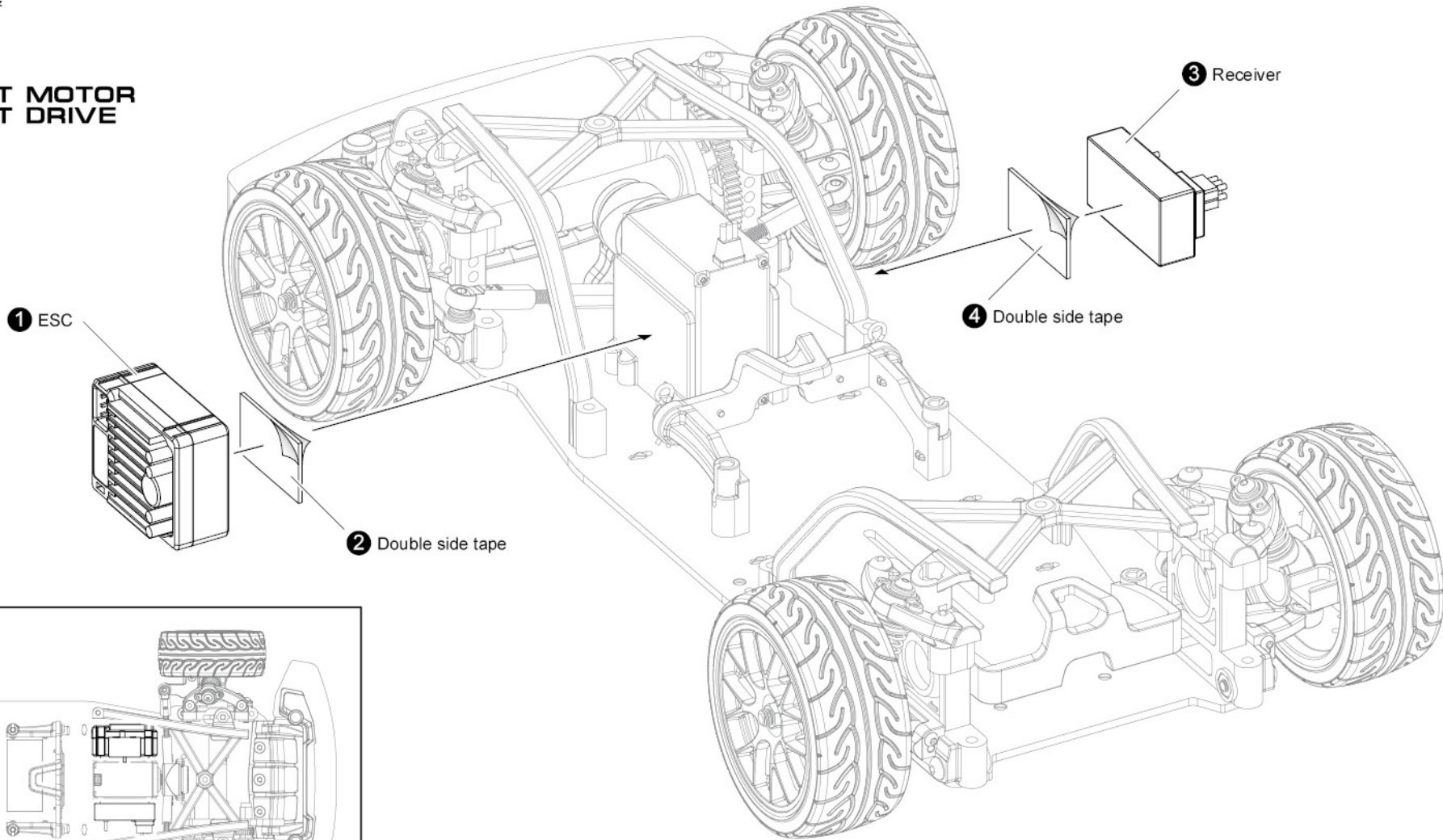
REAR MOTOR
REAR DRIVE

※Example of assembly is RR 225 S.
組裝圖例為 RR 225 S。



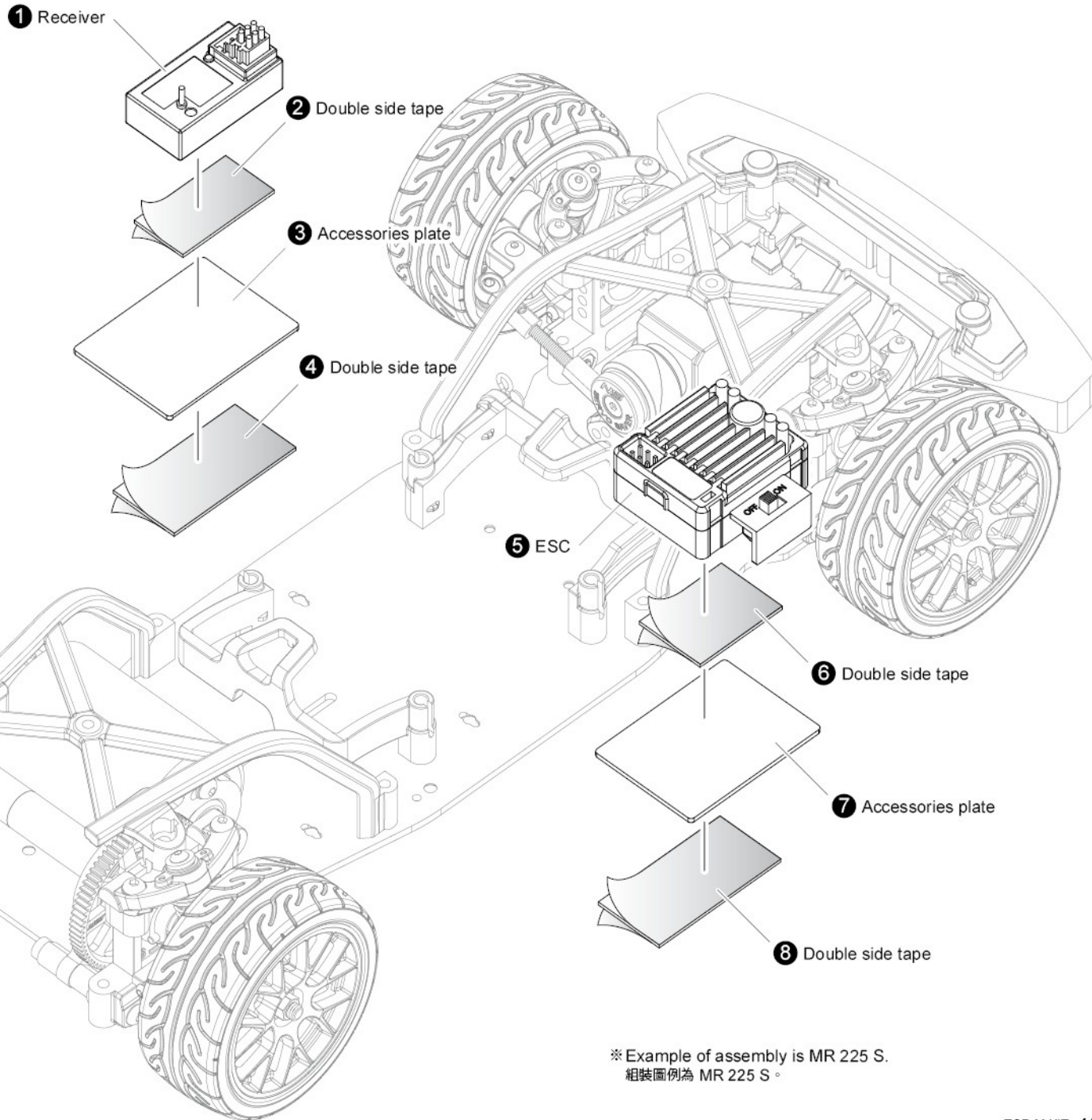
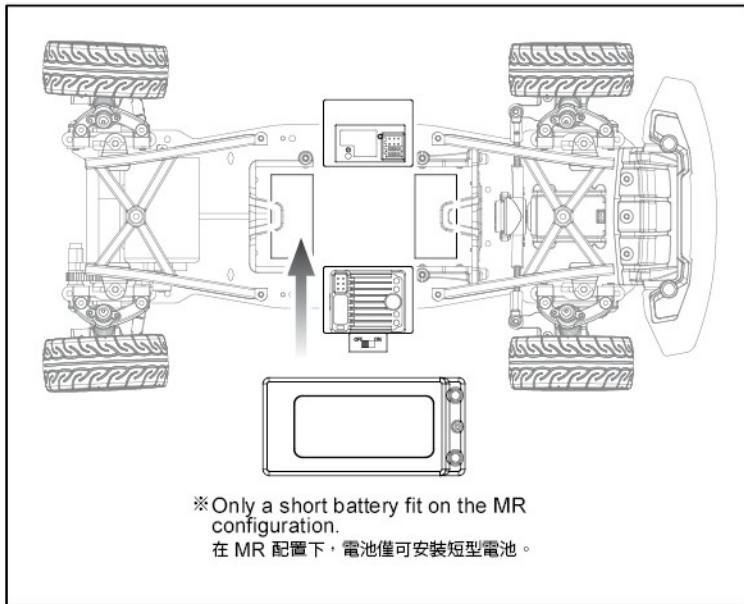
STEP 1 ESC & Receiver assembly
 電子變速器 & 接收機組裝

FF FRONT MOTOR
 FRONT DRIVE



※ Example of assembly is FF 255 S.
 組裝圖例為 FF 255 S。

STEP 1 ESC & Receiver assembly
電子變速器 & 接收機組裝

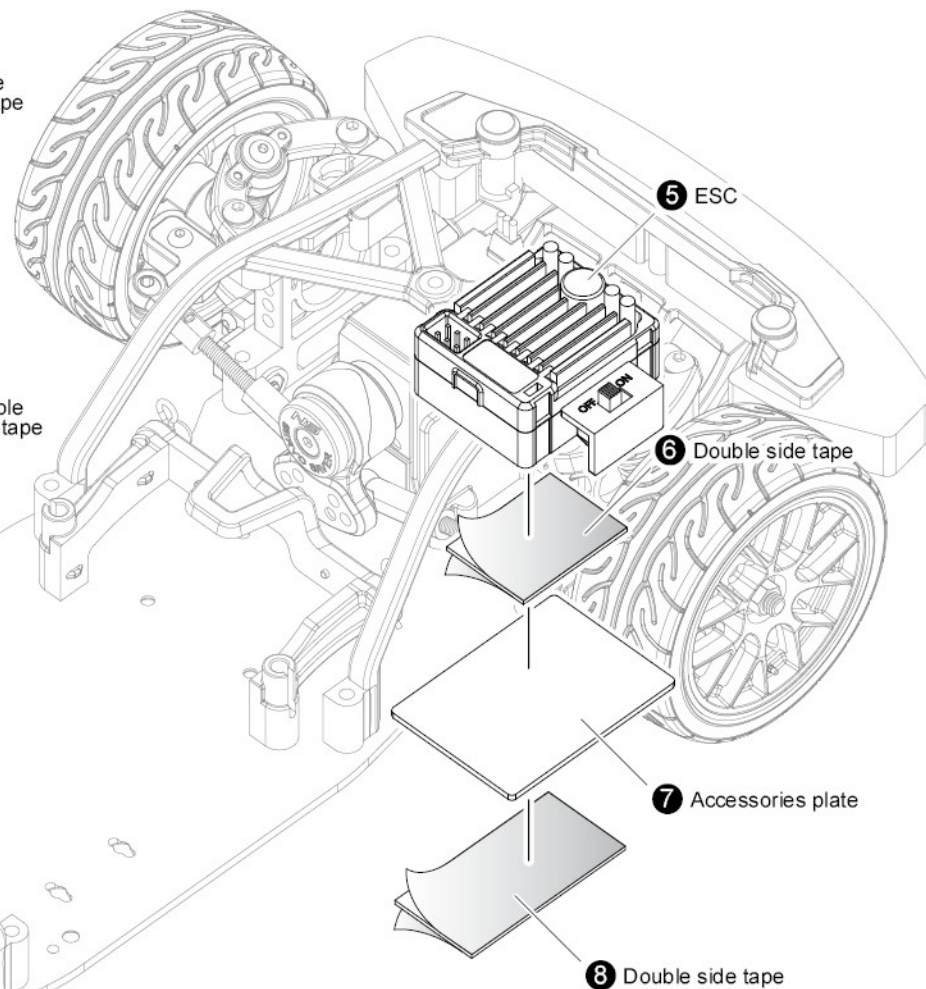
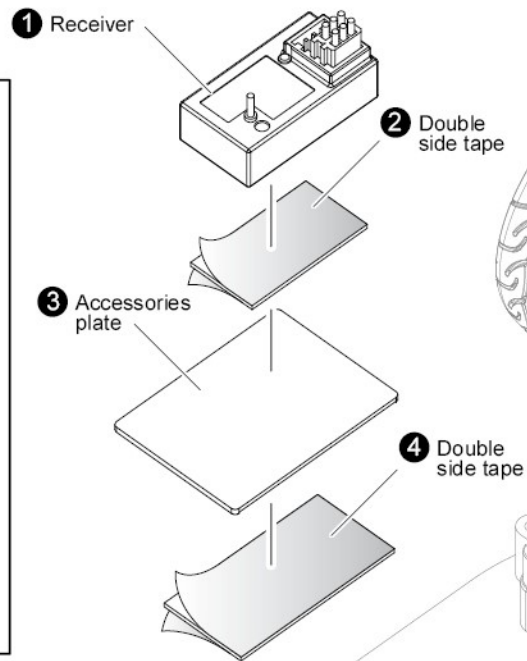
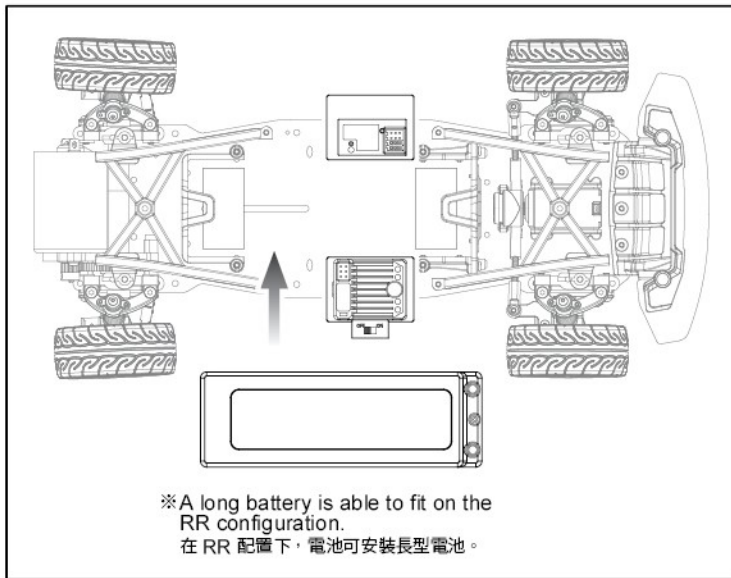


※ Recommend using #841013 LSD X Gyro for the best experience of rear-driving performance.
建議可以搭配陀螺儀使用 #841013，以便體驗後驅車之樂趣。



※ Example of assembly is MR 225 S.
組裝圖例為 MR 225 S。

STEP 1 ESC & Receiver assembly
電子變速器 & 接收機組裝



※ Recommend using #841013 LSD X Gyro for the best experience of rear-driving performance.
建議可以搭配陀螺儀使用 #841013，以便體驗後驅車之樂趣。

※ Example of assembly is RR 255 S.
組裝圖例為 RR 255 S。



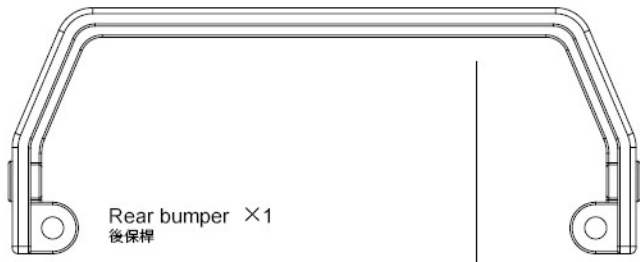
STEP 1 Attaching front body mounts
安裝前車殼固定座



Rear body post ×2
後支柱



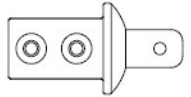
Body post ??? ×1
支柱補強架



Rear bumper ×1
後保桿



Front body post ×2
前支柱



Post cap ×2
支柱套



M3×18 screw ×4
圓頭螺絲



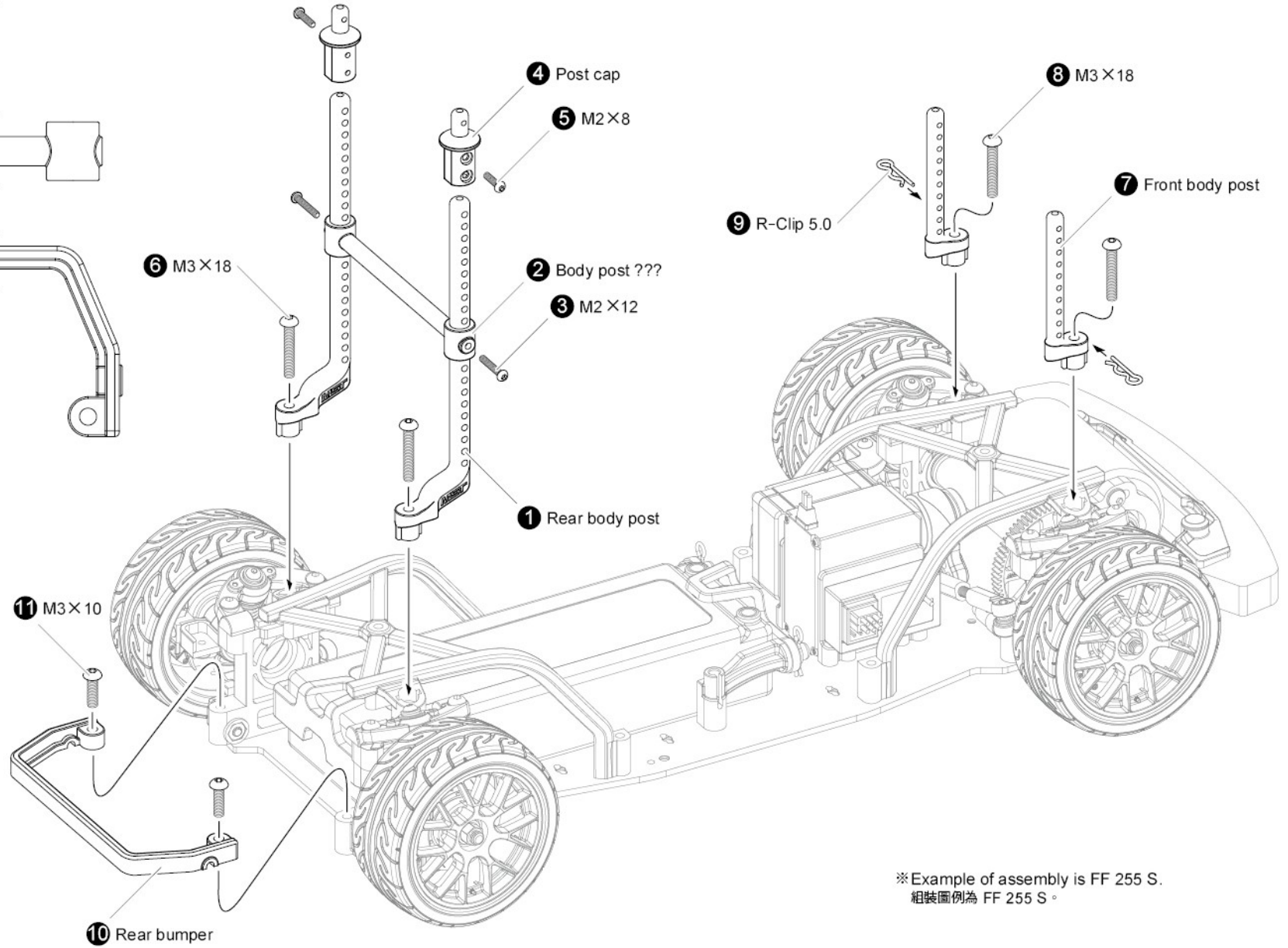
M3×10 screw ×2
圓頭螺絲



M2×12 screw ×2
圓頭螺絲














































M2×8 screw ×2
圓頭螺絲

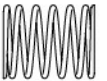
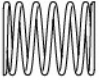





※ Example of assembly is FF 255 S.
組裝圖例為 FF 255 S。


PARTS

- | | | | |
|---|------------------------------------|---|--|
|  | M2×4 Screw ×12
圓頭螺絲
110004 |  | M3×2.6 screw ×2
止付螺絲
110060 |
|  | M2×5 Screw ×8
圓頭螺絲
110050 |  | M3×3 screw ×1
止付螺絲
110035 |
|  | M2×8 Screw ×2
圓頭螺絲
110063 |  | M3×12 screw ×2
止付螺絲
110056 |
|  | M2×12 Screw ×2
圓頭螺絲
110111 |  | M3×25 screw ×2
止付螺絲
110008 |
|  | M2.5×8 Screw ×6
圓頭螺絲
110068 |  | M2.5×30 screw ×1
有頭螺絲(半牙)
110053 |
|  | M3×8 screw ×2
圓頭螺絲
110002 |  | M2.5 Lock nut ×1
防鬆螺帽
110097 |
|  | M3×10 screw ×10
圓頭螺絲
110026 |  | M3 Flat nut ×6
防鬆螺帽
110093 |
|  | M3×12 Screw ×6
圓頭螺絲
110029 |  | M4 Wheel nut ×4
輪框螺帽
820074 |
|  | M3×18 screw ×4
圓頭螺絲
110087 |  | 2.5×6 Spacer ×2
墊片
120008 |
|  | M3×20 screw ×1
圓頭螺絲
110088 |  | 2.6×7×1 Spacer ×4
墊片
110119 |
|  | M3×25 screw ×1
圓頭螺絲
110076 |  | 3×6×0.5 Spacer ×5
墊片
110047 |
|  | M2×6 screw ×1
沉頭螺絲
110042 |  | 5×7×0.3 Spacer ×4
墊片
820020 |
|  | M2.5×6 screw ×4
沉頭螺絲
110112 |  | 5×8 Ball bearing ×8
培林
120003 |
|  | M2.5×16 screw ×1
沉頭螺絲
110113 |  | 10×15 Ball bearing ×4
培林
120001 |
|  | M3×6 screw ×3
沉頭螺絲
110024 |  | Diff. plate ×2
滾差壓板
310033 |
|  | M3×8 screw ×20
沉頭螺絲
110005 | | |
|  | M3×16 screw ×1
沉頭螺絲
110073 | | |

- | | | | |
|--|---|---|------------------------------------|
|  | Cross joint ×2
連接軸
820030 |  | 1.5 Steel ball ×10
鋼珠
120008 |
|  | 2×9.8 Shaft ×2
插銷
110046 |  | 3.0 Steel ball ×10
鋼珠
110020 |
|  | 2×9.8 Shaft ×4
插銷
110017 |  | Diff. spring ×1
滾差彈簧
310032 |
|  | 2×28 Shaft ×4
插銷
310103 |  | R-clip 5.0 ×4
R銷 5.0
820075 |
|  | 4.8×4.5 Ball connector ×8
球頭螺絲
310001 | | |
|  | 5.8×4 Ball connector ×4
球頭螺絲
210159 | | |
|  | 48P-15T Pinion gear ×1
馬連齒
148015P | | |

- | | | | |
|---|--|--|--|
|  | Coil spring (silver) ×2
避震彈簧(銀)
820140 | | |
|  | Coil spring (green) ×2
避震彈簧(綠)
820140 | | |
|  | 2WD Axle ×2
二驅輪軸
820095 | | |
|  | 4WD Axle ×2
四驅輪軸
820094 | | |

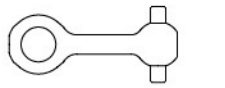





W

Steel CVD universal shaft 20 ×2
鋼製CVD傳動軸 20
820142

For 173mm

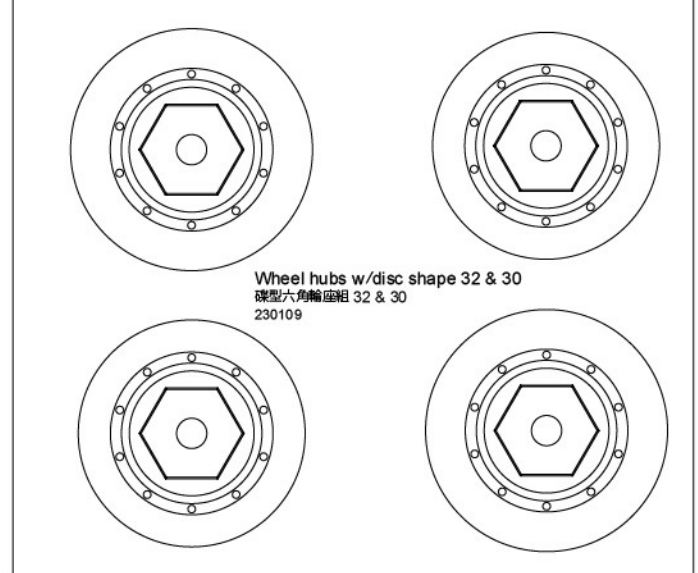
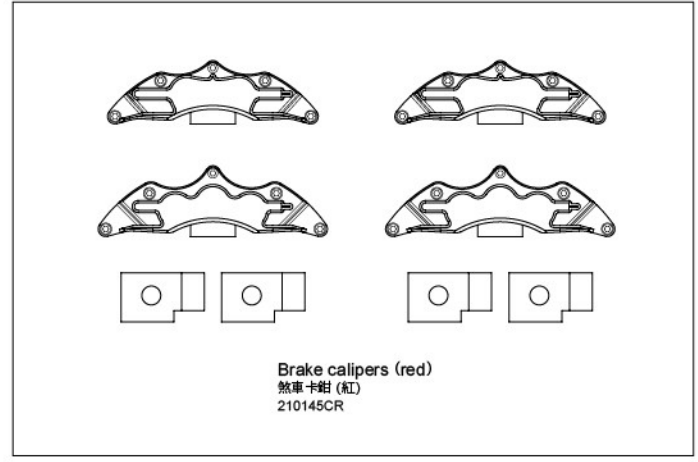
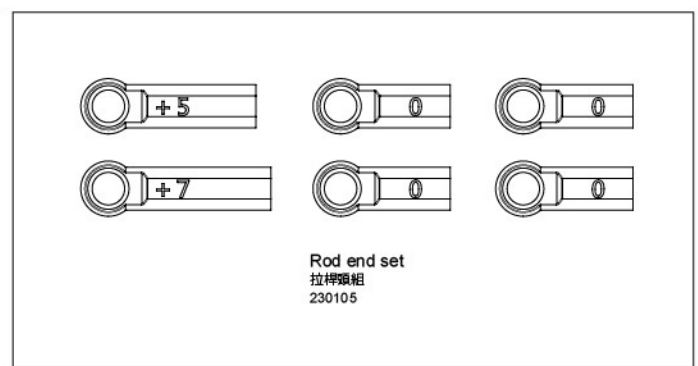




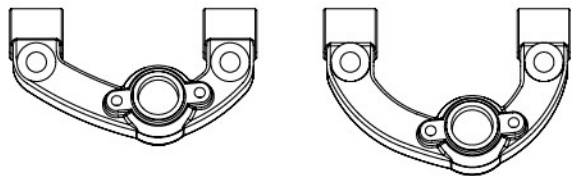
S

Steel CVD universal shaft 15.5 ×2
鋼製CVD傳動軸 15.5
820138

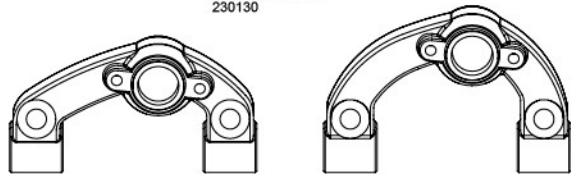
For 164mm



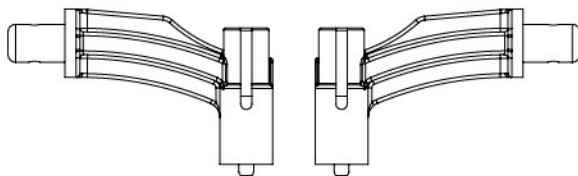
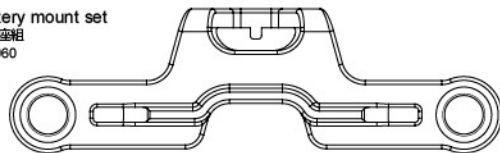
PARTS



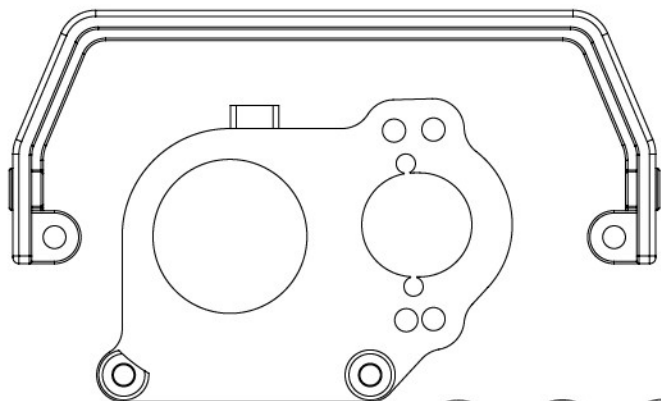
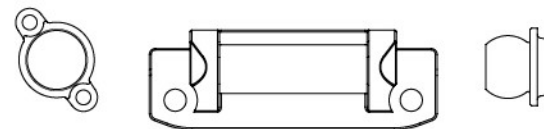
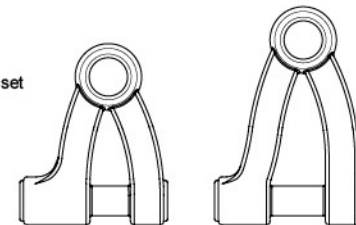
TCR-M Upper arm set
TCR-M 上擺臂組
230130



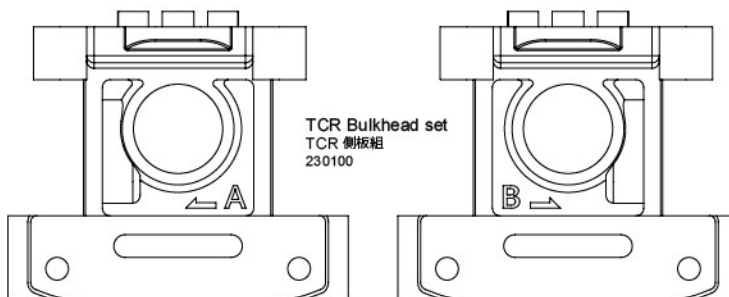
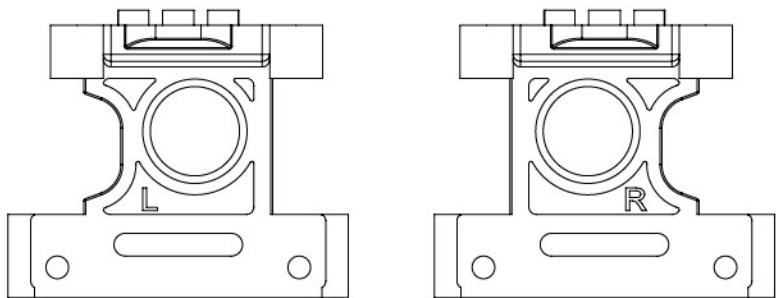
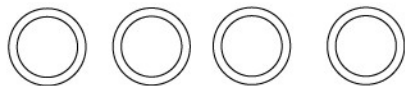
Battery mount set
電池座組
230060



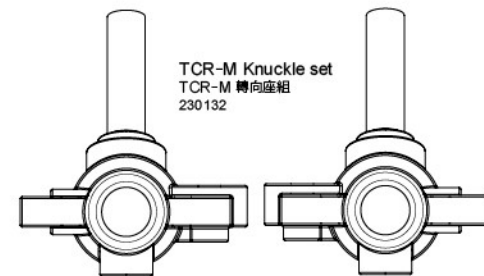
TCR-M Lower arm set
TCR-M 下擺臂組
230131



TCR-M Front bulkhead set
TCR-M 前側板組
230134



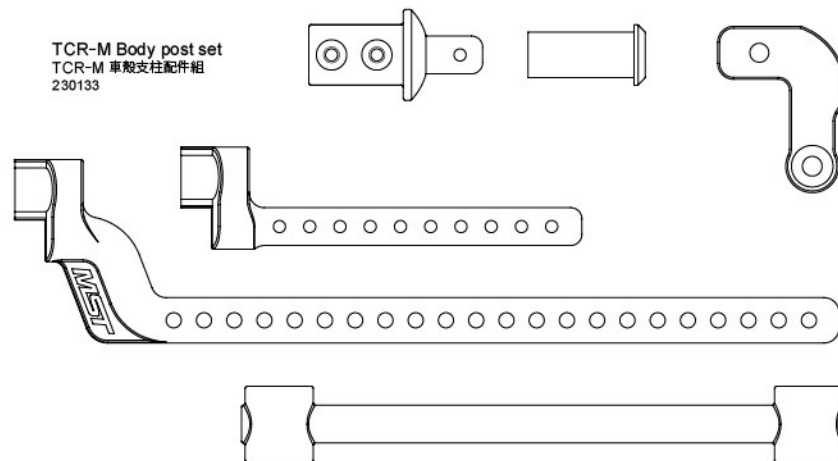
TCR Bulkhead set
TCR 側板組
230100



TCR-M Knuckle set
TCR-M 轉向座組
230132



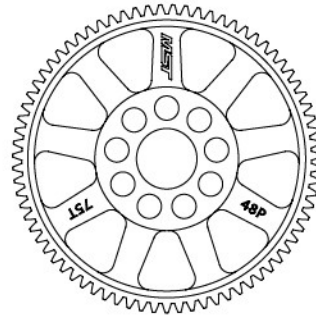
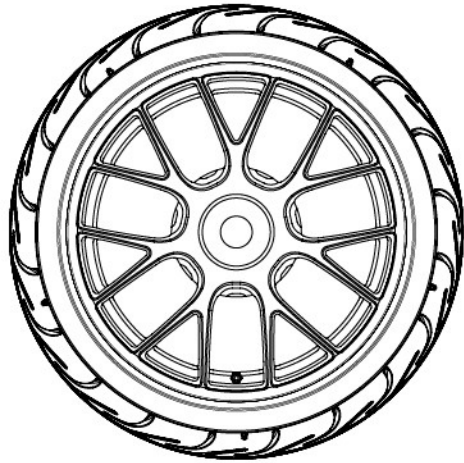
NS Servo saver set
NS 緩衝組
820126



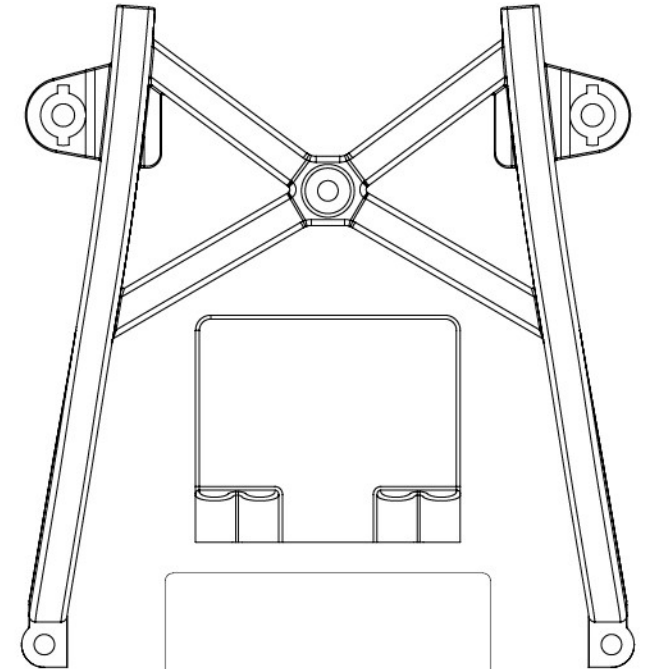
TCR-M Body post set
TCR-M 車殼支柱配件組
230133

PARTS

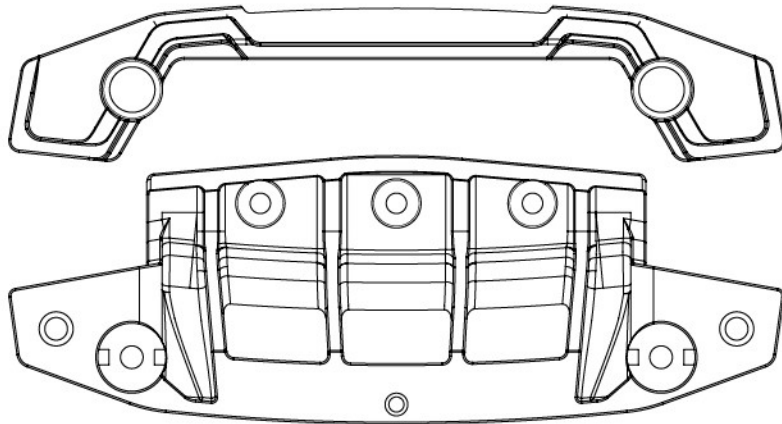
M AD8 Realistic tire 50°
 M AD8 像真胎 50°
 831009
 M Black RE wheel 24.5mm (+1)
 M 黑RE輪框 24.5mm (+1)
 832551BK



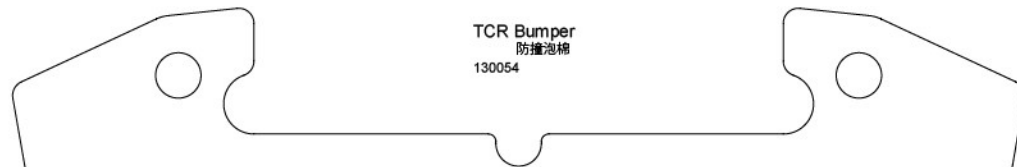
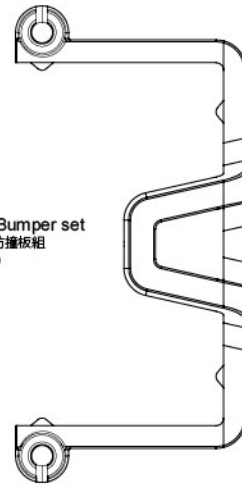
Diff. spur gear 48P-75T
 減差大齒盤 48P-75T
 230108



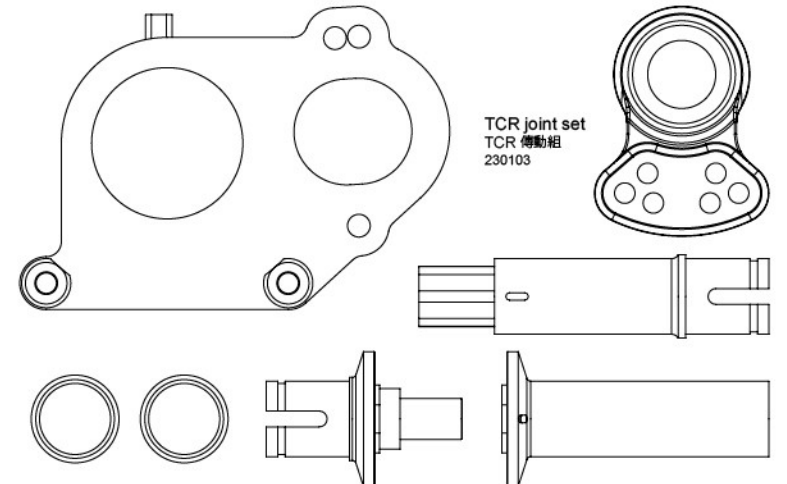
TCR Accessories set
 TCR 配件組
 230104



TCR Bumper set
 TCR 防撞板組
 230099



TCR Bumper
 防撞泡棉
 130054



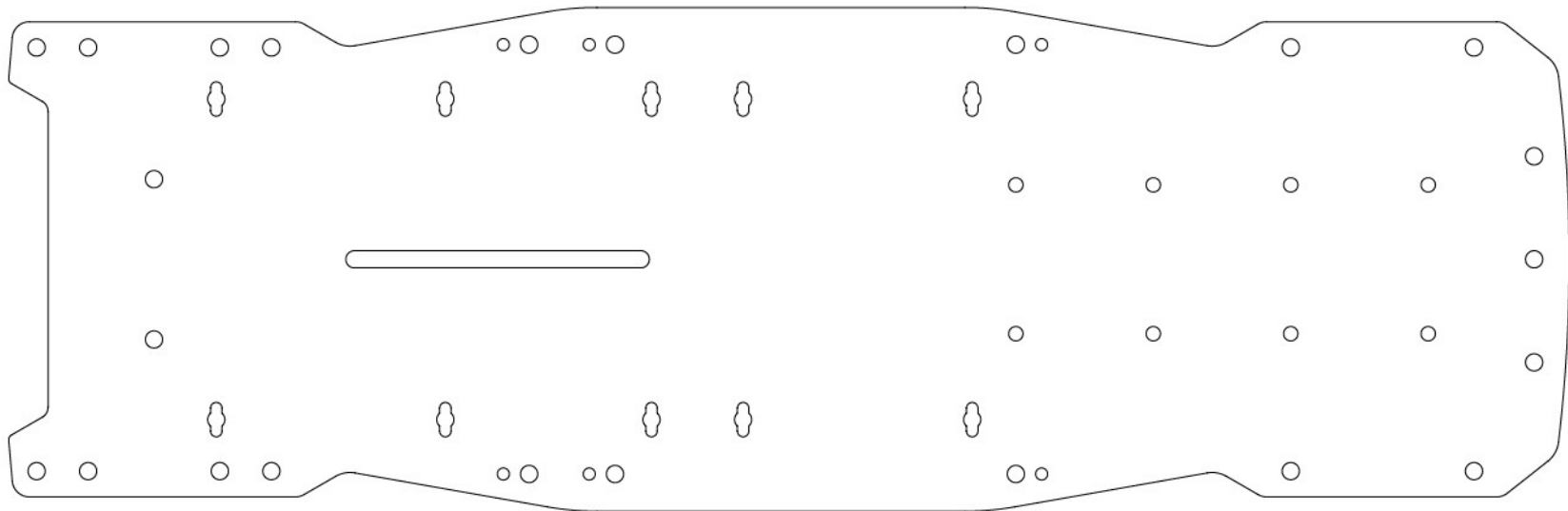
TCR joint set
 TCR 傳動組
 230103

PARTS

TCR-M Lower deck 2.0 (210/ 225)
纖維底盤 2.0 (210/ 225)
210635

210

225

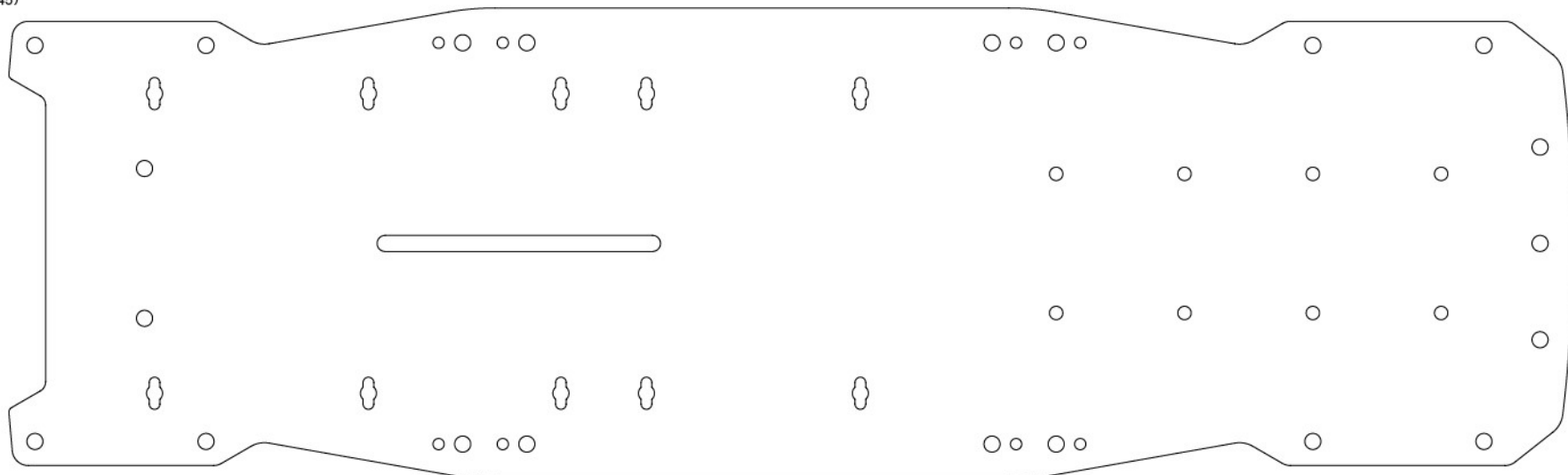


TCR-M Lower deck 2.0 (233/ 239/ 245)
纖維底盤 2.0 (233/ 239/ 245)
210638

233

239

245



PARTS CODE

110002	Round head screw M3×8 (10)	210068	Round head screw M2.5×8 (6)	130054	TCR Bumper	230134	TCR-M Front bulkhead set
110004	Round head screw M2×4 (6)	110073	Countersunk screw M3×16 (6)	148015P	MST 48P Pinion 15T	310001	Ball connector 4.8×4.5 (5)
110005	Countersunk screw M3×8 (10)	110076	Round head screw M3×25 (6)	210159	Ball connector 5.8×4 (4)	310032	Diff. screw & spring set
110008	Set screw M3×25 (6)	110087	Round head screw M3×18 (6)	210510CR	Enlarged brake calipers (red) (4)	310033	Diff. plate (2)
110017	Shaft 2×9.8 (10)	110088	Round head screw M3×20 (6)	* 210635	TCR-M lower deck 2.0 (210/ 225)	310103	Arm shaft 2×28 (2)
110020	Steel ball 3.0 (13)	110097	Lock nut M2.5 (5)	* 210638	TCR-M lower deck 2.0 (233/ 239/ 245)	820020	Spacer 5×7×0.3 (8)
110024	Countersunk screw M3×6 (10)	110110	Nut M3 (NL) (10)	230060	Battery mount	820030	Cross joint (2)
110026	Round head screw M3×10 (10)	110111	Round head screw M2×12 (6)	230099	TCR bumper set	820074	Wheel nut m4 (4)
110029	Round head screw M3×12 (6)	110112	Countersunk screw M2.5×6 (6)	230100	TCR bulkhead set	820075	R-clip 5.0 (10)
110035	Set screw M3×3 (6)	110113	Countersunk screw M2.5×16 (6)	230103	TCR joint set	820094	AKM 4WD axle (2)
110042	Countersunk screw M2×6 (6)	110119	Spacer 2.6×7×1 (8)	230104	TCR accessories set	820095	AKM 2WD axle (2)
110046	Shaft 2×9.8 (8)	120001	Ball bearing 10×15 (4)	230105	Rod ends set	820126	NS High-torque servo saver
110047	Spacer 3×6×0.5 (8)	120003	Ball bearing 5×8 (4)	230108	Diff. spur gear 48P-75T	* 820138	Steel CVD universal shaft 15.5 (40°) (2)
110050	Round head screw M2×5 (6)	120008	Thrust bearing 2.5×6	230109	Wheel hubs w/disc shape 32 & 30	* 820140	TCR-M Coil spring set (12)
110053	Cap screw M2.5×30 (2)	130006	Double sided tape(5)	230130	TCR-M Upper arm set	* 820142	Steel CVD universal shaft 20 (40°) (2)
110056	Set screw M3×12 (6)	130008	Black grease	230131	TCR-M Lower arm set	831009	M AD8 Realistic tire 50° (4)
110060	Set screw M3×2.6 (10)	130034	Sponge 20×80×1 (4)	230132	TCR-M Knuckle set	* 832551BK	M Black RE wheel 24.5mm (+1) (4)
110063	Round head screw M2×8 (6)	130040	Ball diff. grease	230133	TCR-M Body post set	※ Indicates to be subject to the actual content.	

部品編號

110002	六角半圓頭螺絲 M3×8 (10)	210068	六角圓頭螺絲 M2.5×8 (6)	130054	TCR 防撞泡棉	230134	TCR-M 前側板組
110004	六角半圓頭螺絲 M2×4 (6)	110073	六角沉頭螺絲 M3×16 (6)	148015P	MST 48P 馬達齒 15T	310001	內六角公球頭 4.8×4.5 (5)
110005	六角沉頭螺絲 M3×8 (10)	110076	六角半圓頭螺絲 M3×25 (6)	210159	球頭螺絲 5.8×4 (4)	310032	滾差彈簧螺絲組
110008	六角止付螺絲 M3×25 (6)	110087	六角半圓頭螺絲 M3×18 (6)	210510CR	加大煞車卡鉗 (紅) (4)	310033	滾差壓板 (2)
110017	插銷 2×9.8 (10)	110088	六角半圓頭螺絲 M3×20 (6)	* 210635	TCR-M 纖維底盤 2.0 (210/ 225)	310103	擺臂插銷 2×28 (2)
110020	差速鋼珠 3.0 (13)	110097	防鬆螺帽 M2.5 (5)	* 210638	TCR-M 纖維底盤 2.0 (233/ 239/ 245)	820020	墊片 5×7×0.3 (8)
110024	六角沉頭螺絲 M3×6 (10)	110110	螺帽 M3 (耐落) (10)	230060	電池座組	820030	連接軸 (2)
110026	六角半圓頭螺絲 M3×10 (10)	110111	六角半圓頭螺絲 M2×12 (6)	230099	TCR 防撞板組	820074	輪框螺帽 M4 (4)
110029	六角半圓頭螺絲 M3×12 (6)	110112	六角沉頭螺絲 M2.5×6 (6)	230100	TCR 側板組	820075	R銷 5.0 (10)
110035	六角止付螺絲 M3×3 (6)	110113	六角沉頭螺絲 M2.5×16 (6)	230103	TCR 傳動組	820094	AKM 四驅輪軸 (2)
110042	六角沉頭螺絲 M2×6 (6)	110119	墊片 2.6×7×1 (8)	230104	TCR 配件組	820095	AKM 二驅輪軸 (2)
110046	插銷 2×9.8 (剖溝) (8)	120001	培林 10×15 (4)	230105	拉桿頭組	820126	NS 高扭力伺服緩衝器
110047	墊片 3×6×0.5 (8)	120003	培林 5×8 (4)	230108	滾差大直齒 48P-75T	* 820138	鋼製CVD傳動軸 15.5 (40°) (2)
110050	六角半圓頭螺絲 M2×5 (6)	120008	止推培林 2.5×6	230109	碟型六角輪座組 32 & 30	* 820140	TCR-M 避震彈簧組 (12)
110053	六角有頭螺絲 M2.5×30 (半牙) (2)	130006	泡棉雙面膠 (5)	230130	TCR-M 上擺臂組	* 820142	鋼製CVD傳動軸 20 (40°) (2)
110056	六角止付螺絲 M3×12 (6)	130008	黑色油膏	230131	TCR-M 下擺臂配件組	831009	M AD8 像真胎 50° (4)
110060	六角止付螺絲 M3×2.6 (10)	130034	吸震泡棉 20×80×1 (4)	230132	TCR-M 轉向座組	* 832551BK	M 黑RE輪框 24.5mm (+1) (4)
110063	六角半圓頭螺絲 M2×8 (6)	130040	滾珠差速油	230133	TCR-M 車殼支柱配件組	※ 表示依內容物為主。	

026220-1

TCR-M

RC 2WD HIGH PERFORMANCE RACING CAR

INSTRUCTION
MANUAL

www.rc-mst.com



MST website MST facebook

MST

MAX SPEED TECHNOLOGY